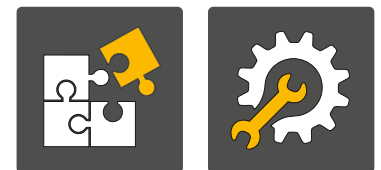
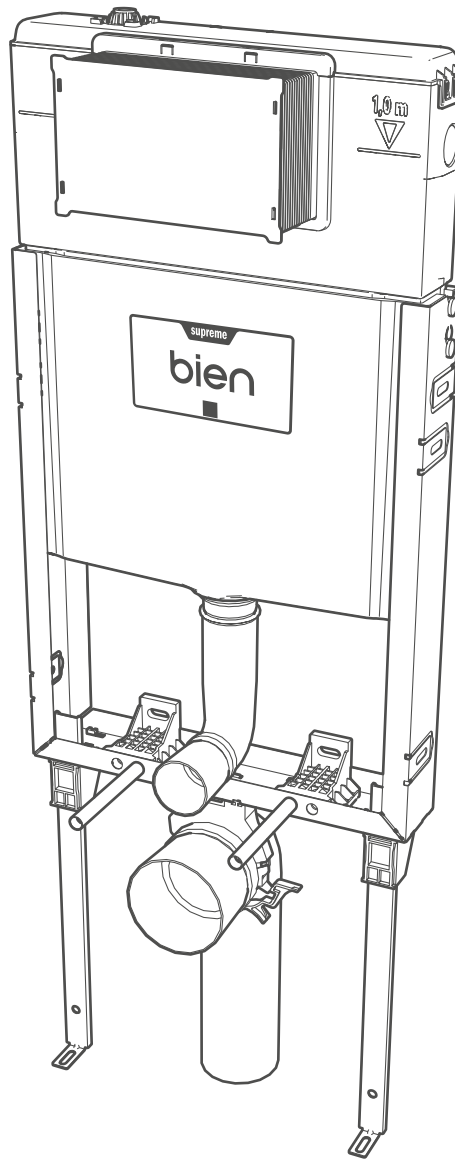


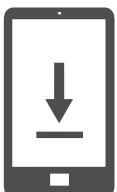
bien

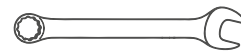
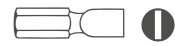
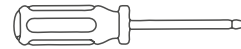
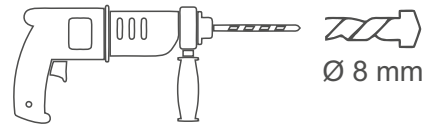
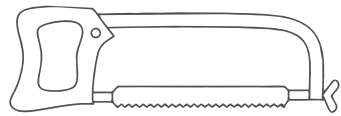
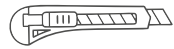
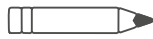
supreme PRO-T
supreme PRO-Z



Installation & Service Manual

Montaj ve Servis Kilavuzu
Installations- und Servicehandbuch
Manuel d'installation et d'entretien
Manuale di installazione e manutenzione
Manual de instalación y mantenimiento
Руководство по установке и обслуживанию
دليل التركيب والصيانة





10 mm



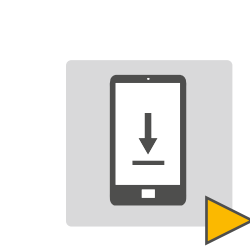
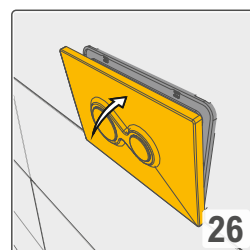
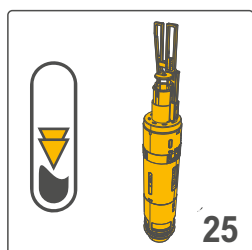
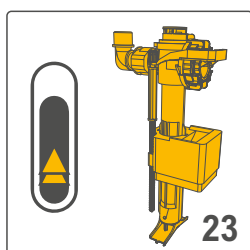
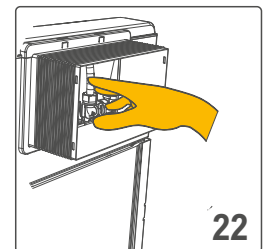
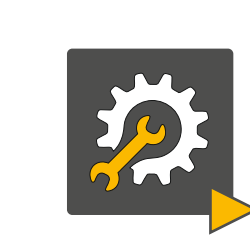
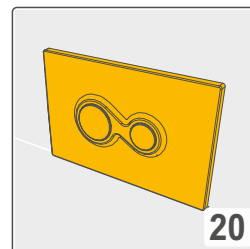
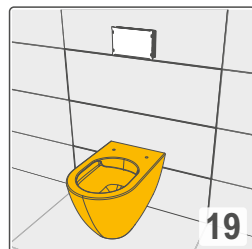
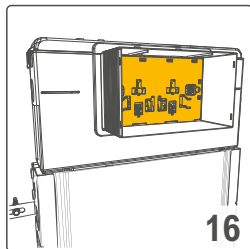
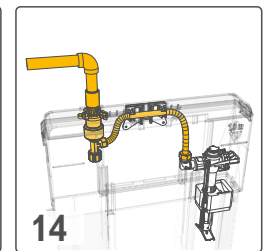
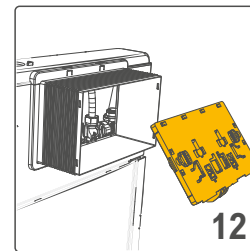
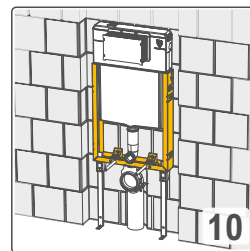
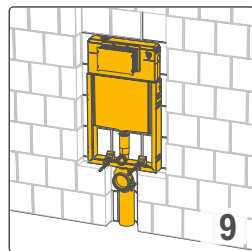
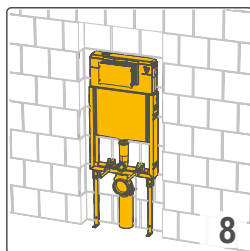
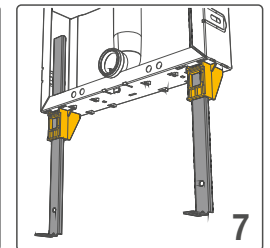
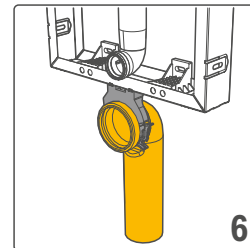
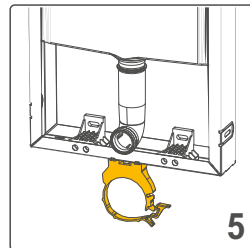
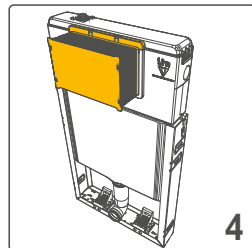
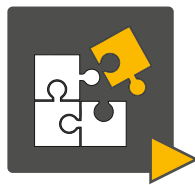
15 mm

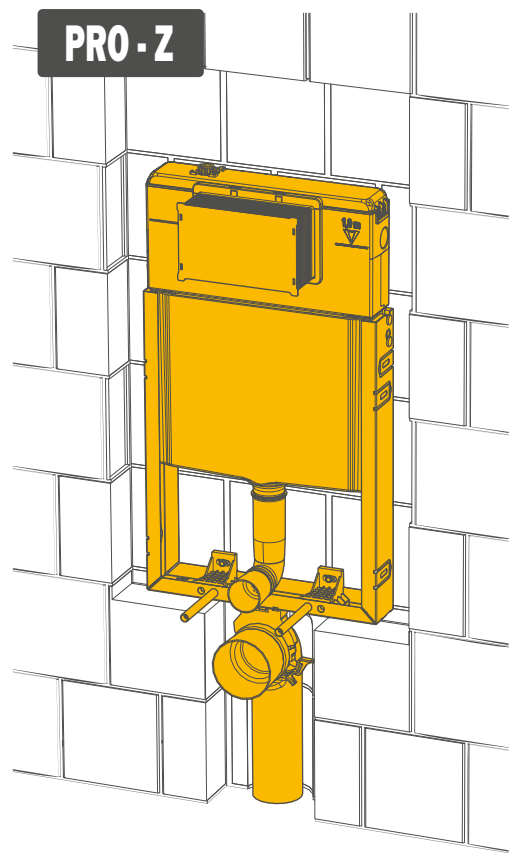
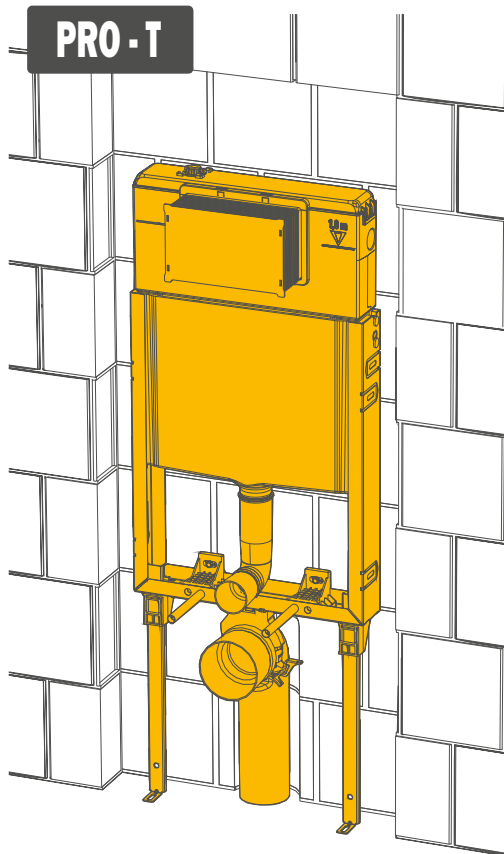
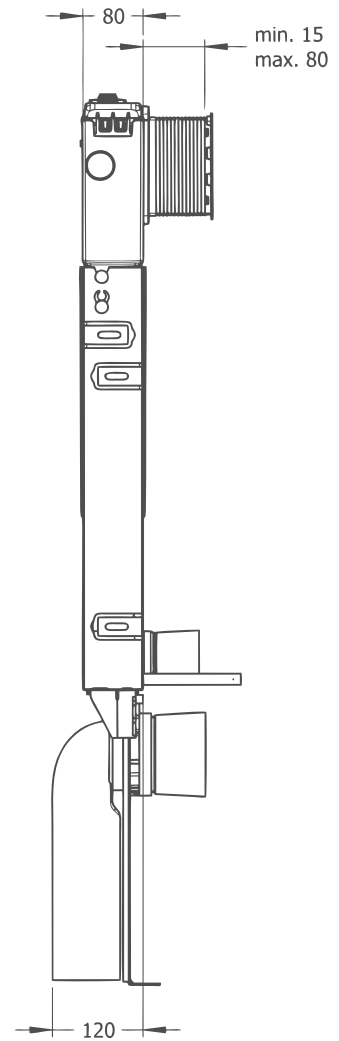
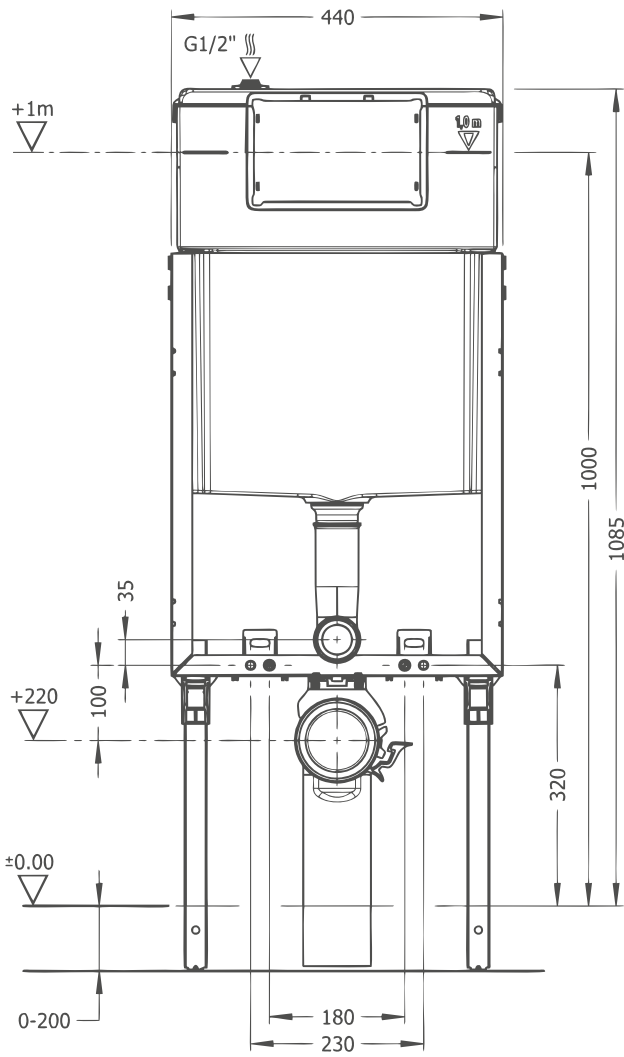


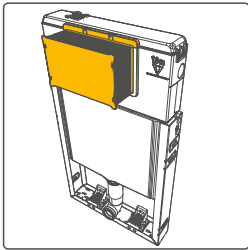
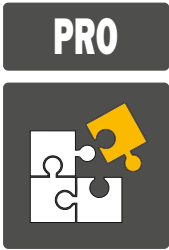
19 mm



23 mm







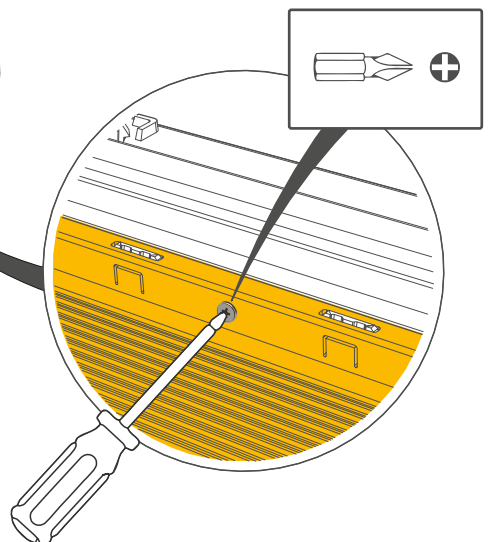
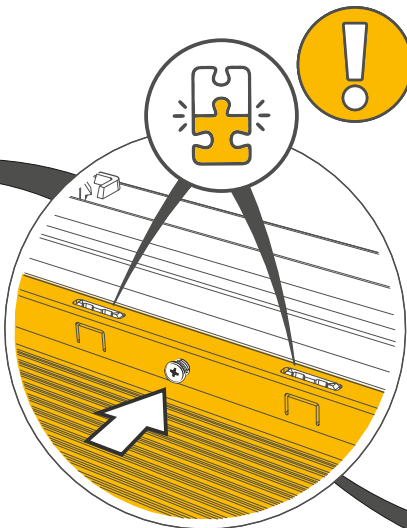
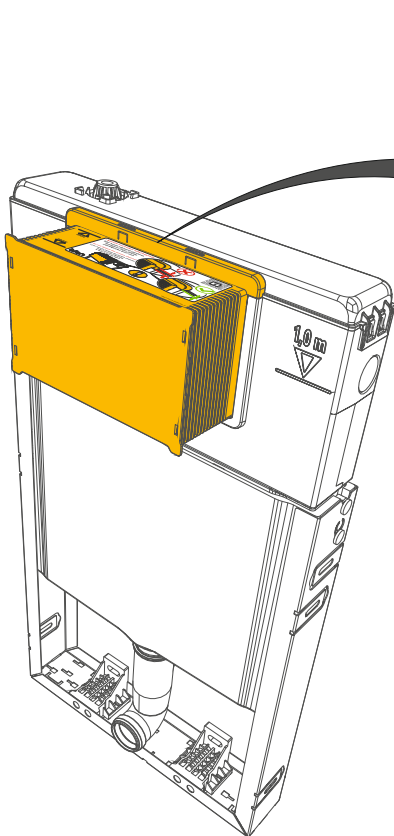
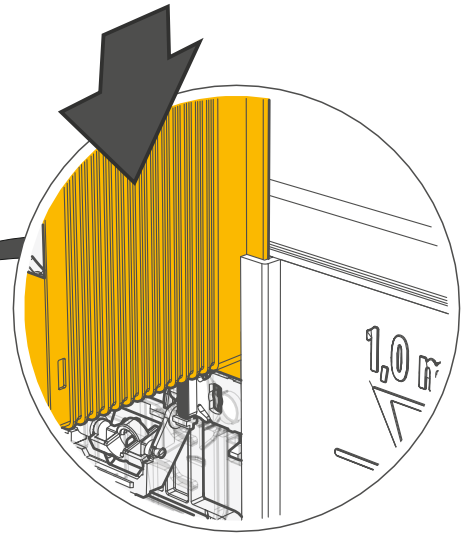
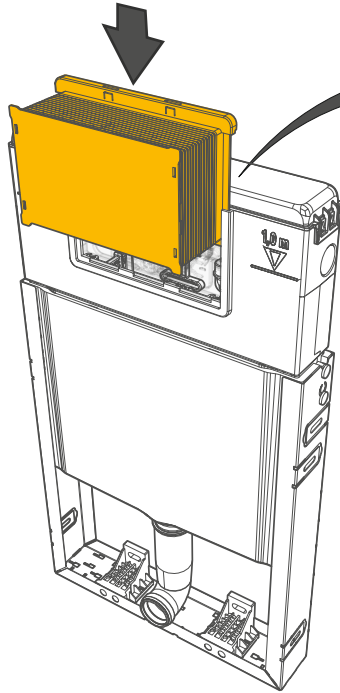
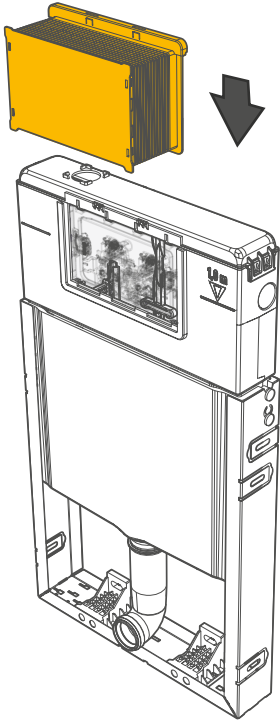
*** Kanalı yerinden sökmeyiniz**
Eğer kanalı sökmeniz gerekirse, montajın doğru şekilde yapıldığından emin olun

*** Do not detach the access channel!**
If you need to remove the access channel, make sure that attaching is done correctly again

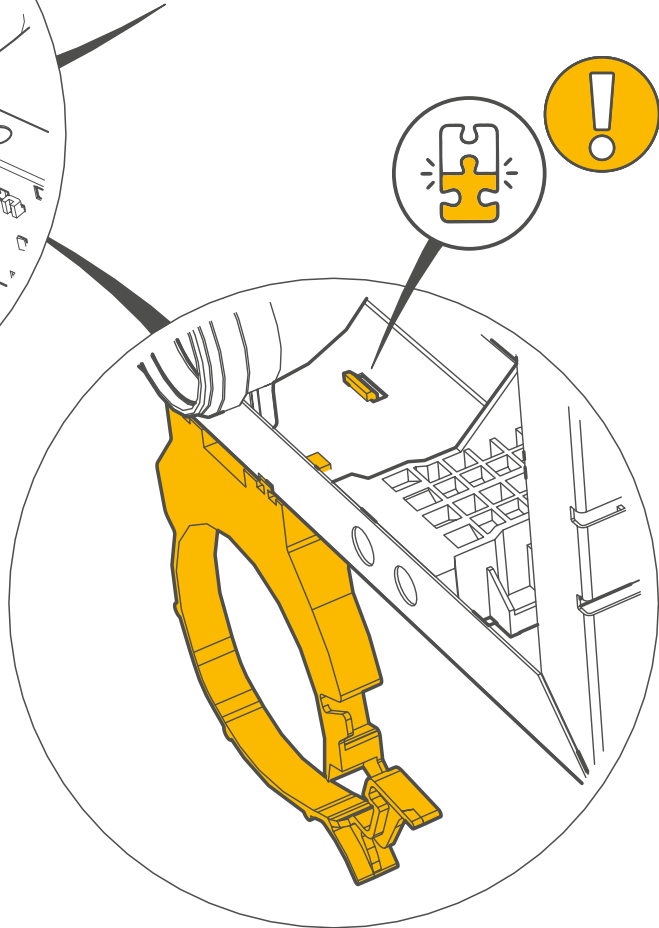
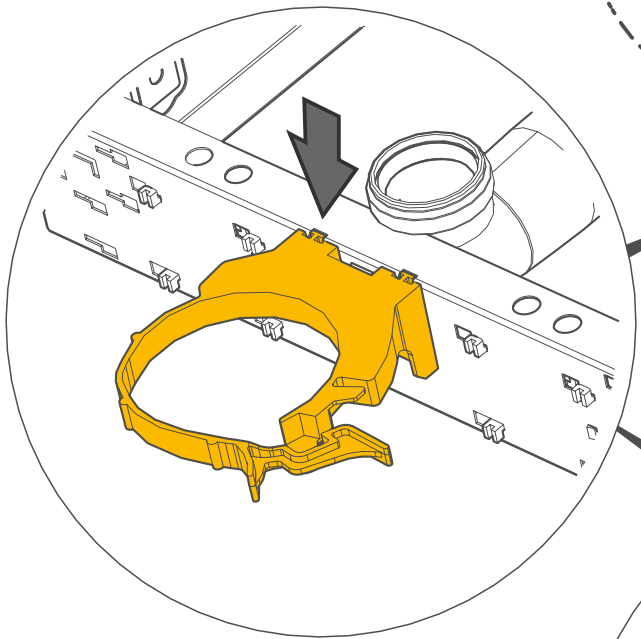
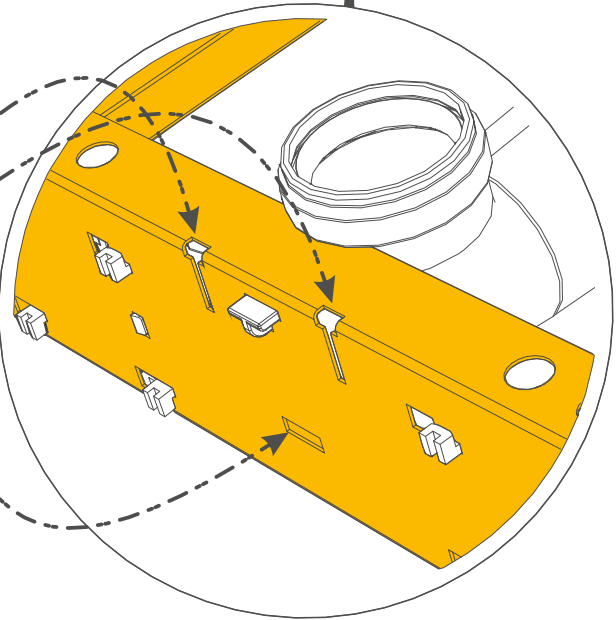
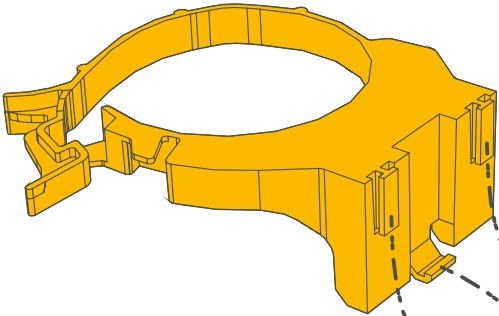
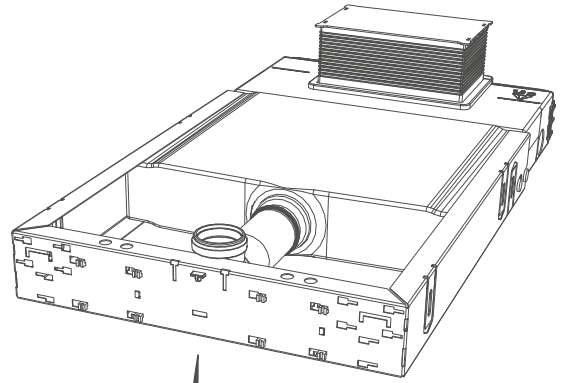
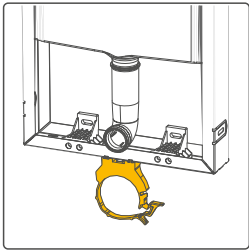
min

max

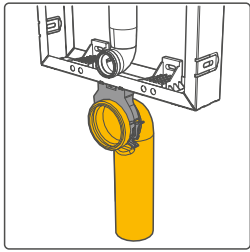
blen

A diagram showing two ways to remove the access channel. The left side shows a red 'X' over a hand pulling the channel out from the top, indicating this is incorrect. The right side shows a green checkmark over a hand pulling the channel out from the bottom, indicating this is the correct method. A QR code is located in the top right corner of the yellow box.

PRO

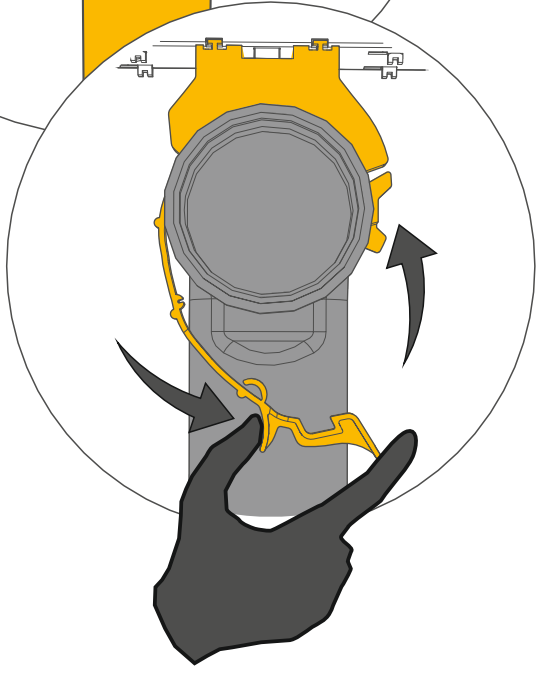
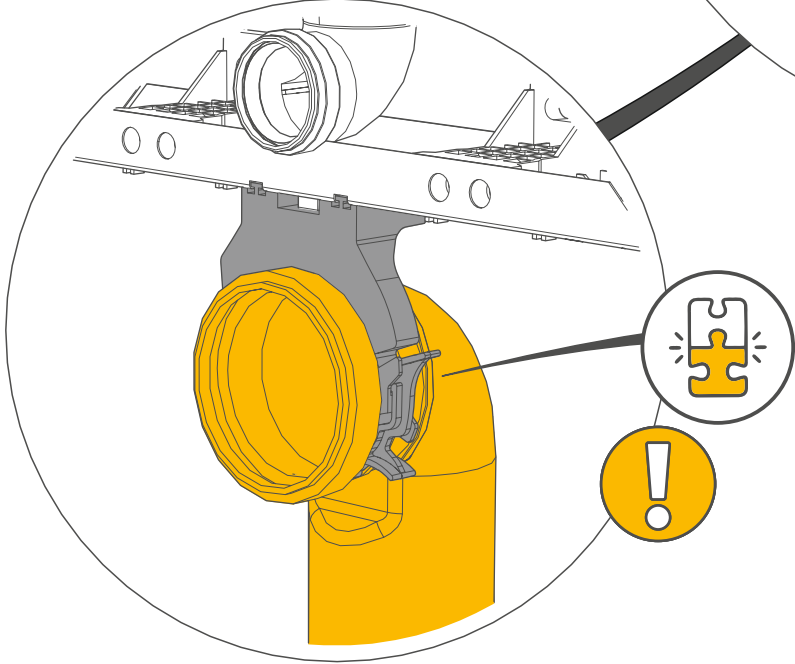
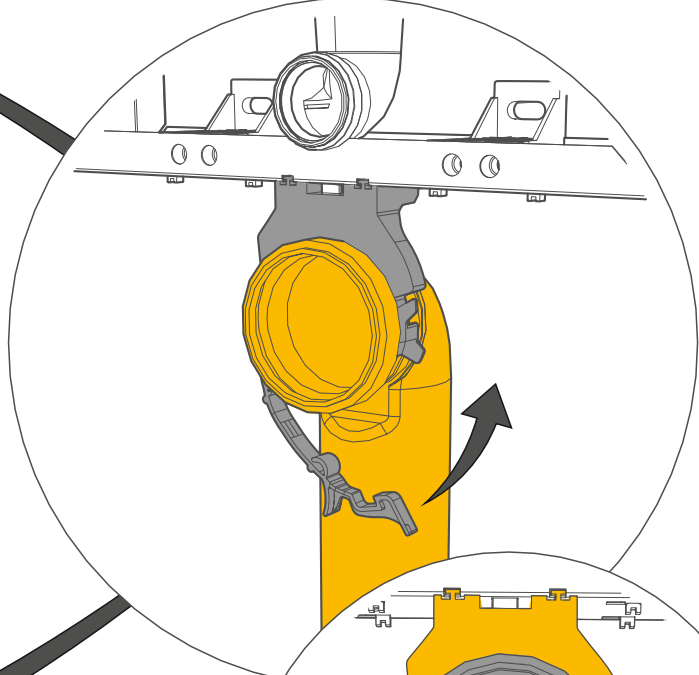
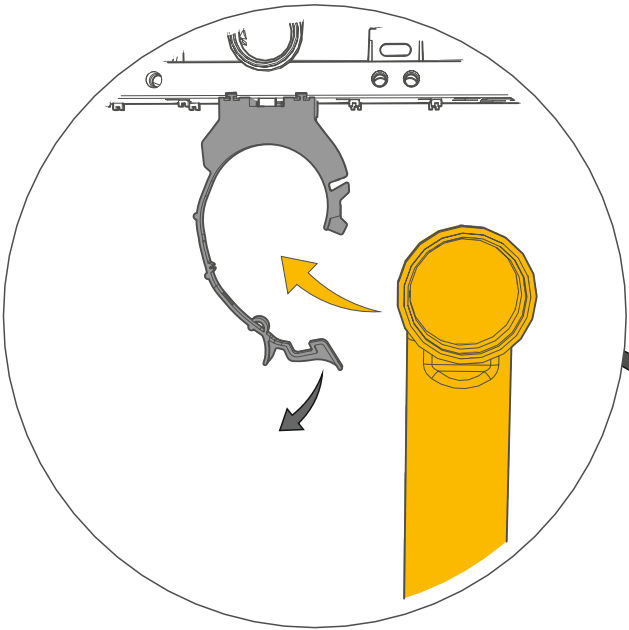
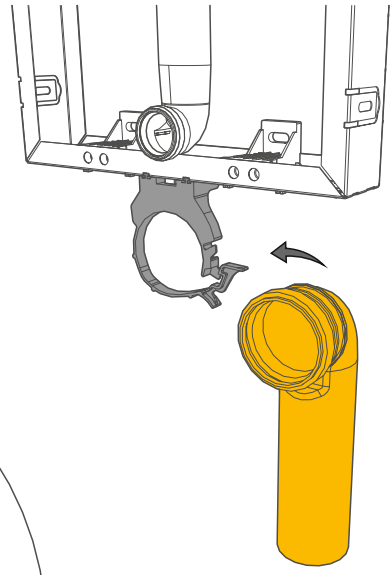


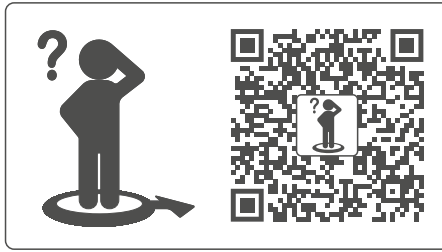
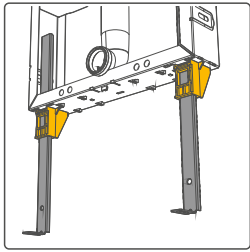
PRO



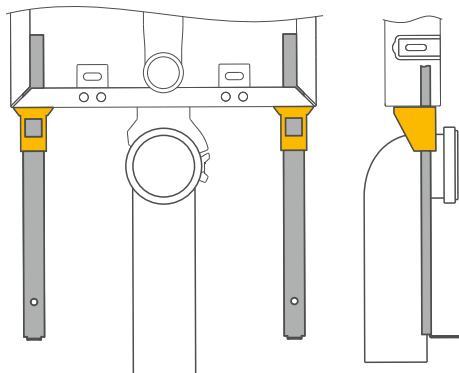
PRO-T > 7

PRO-Z > 9

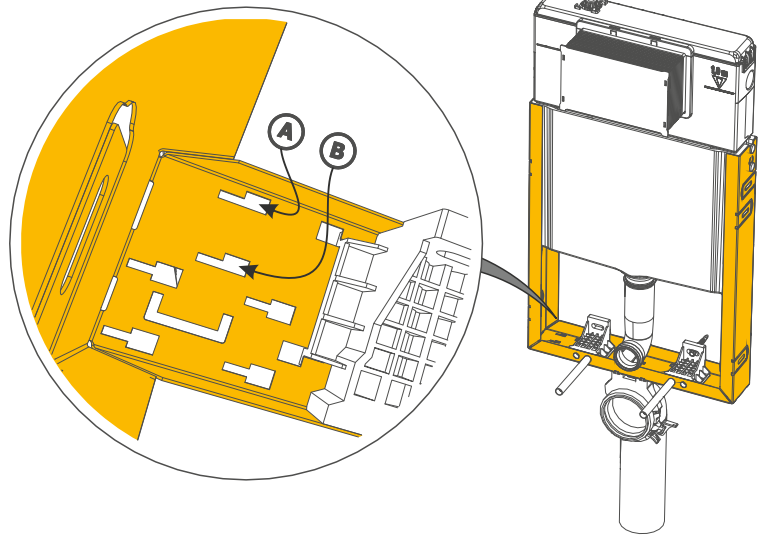
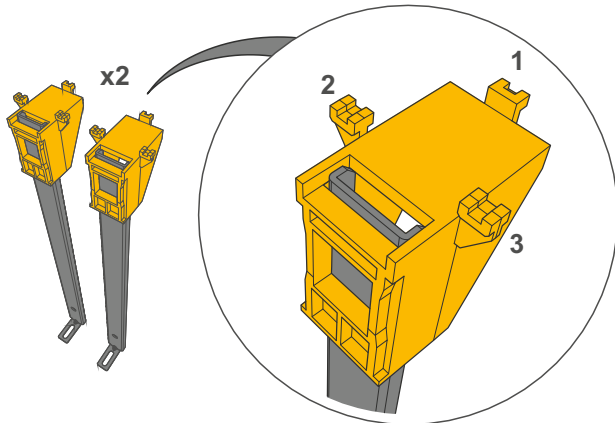
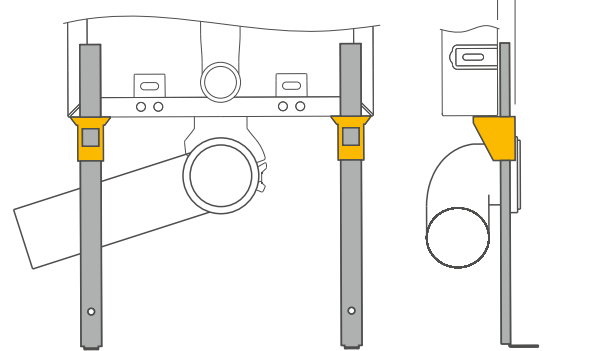




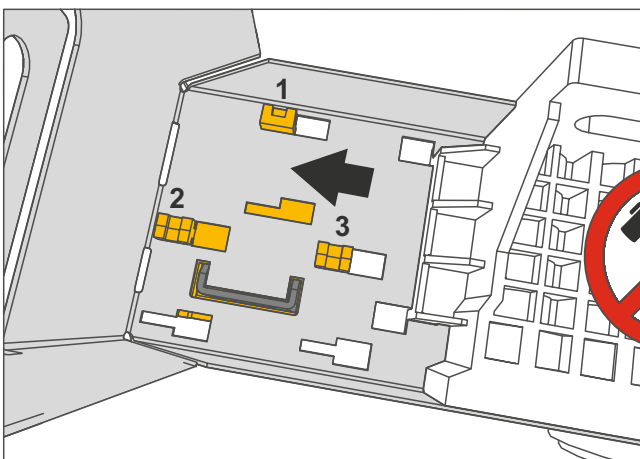
A



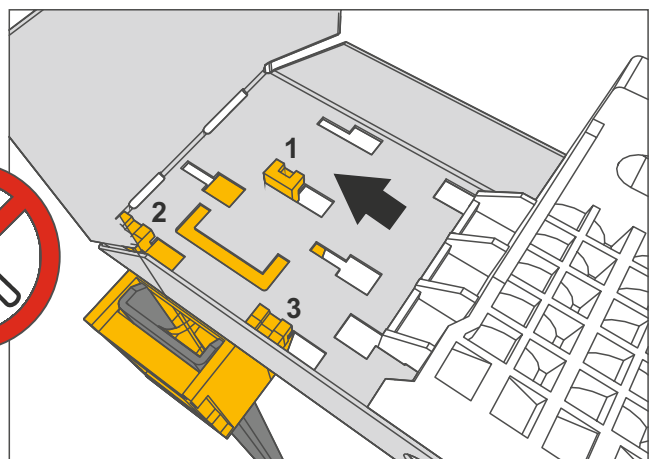
B

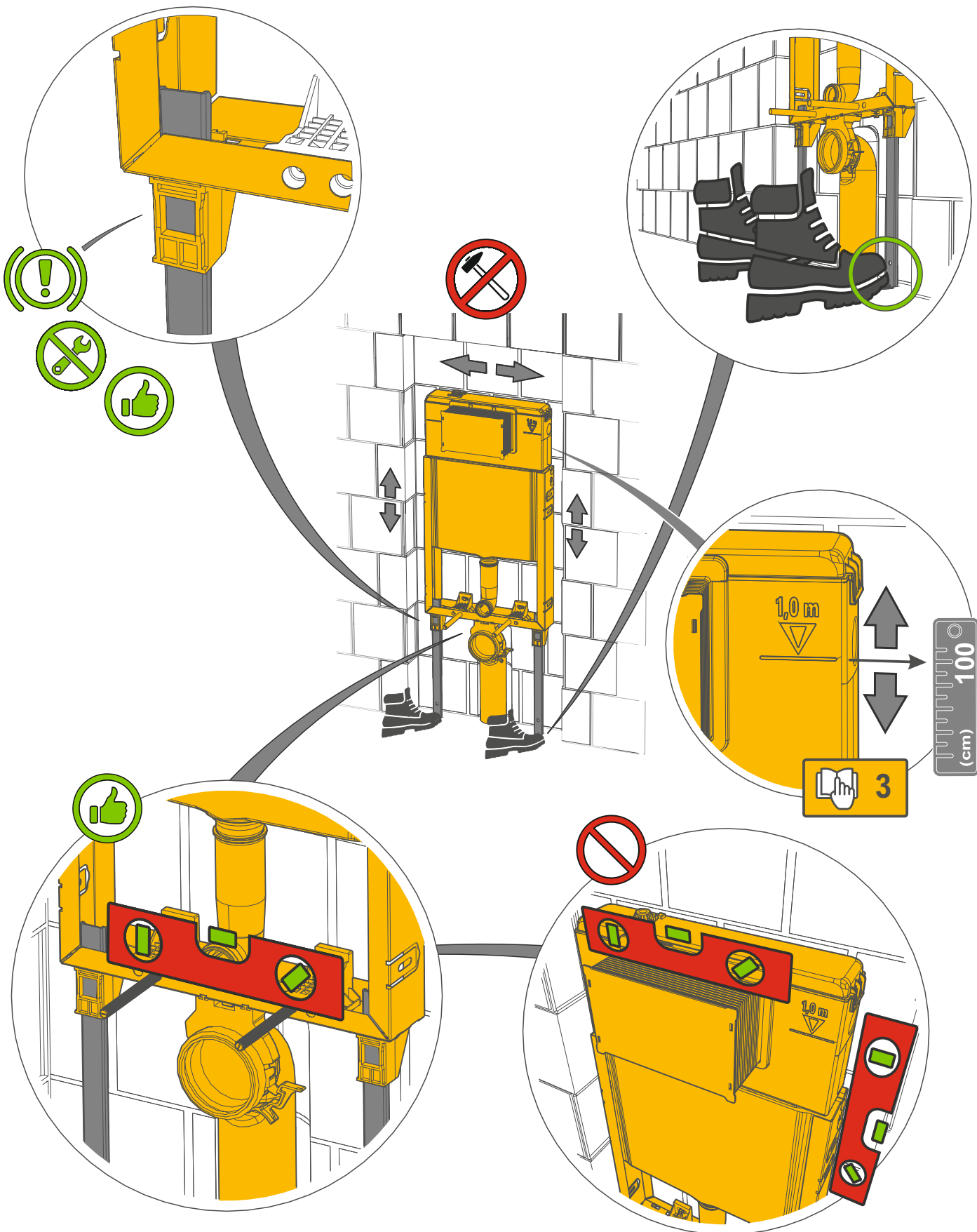
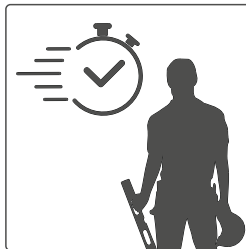
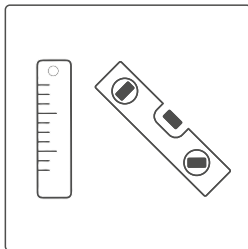
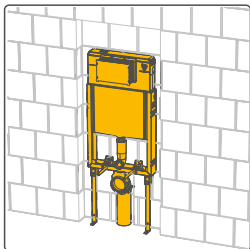


A

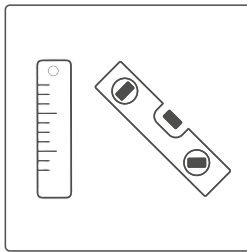
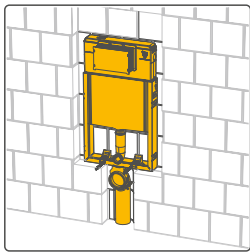


B





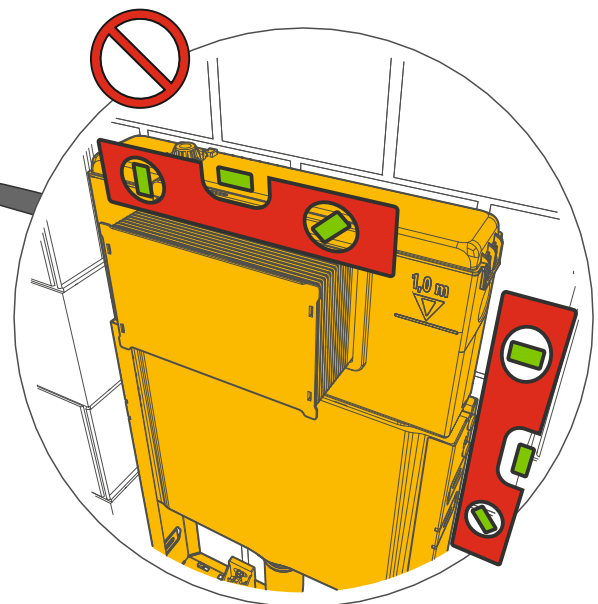
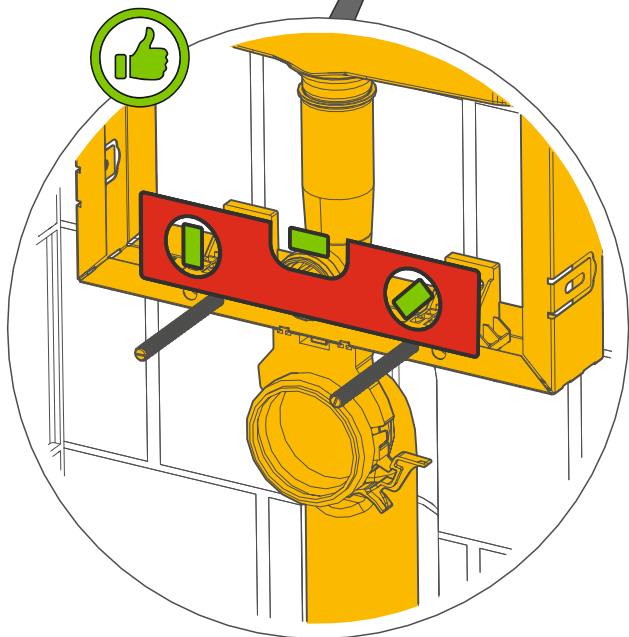
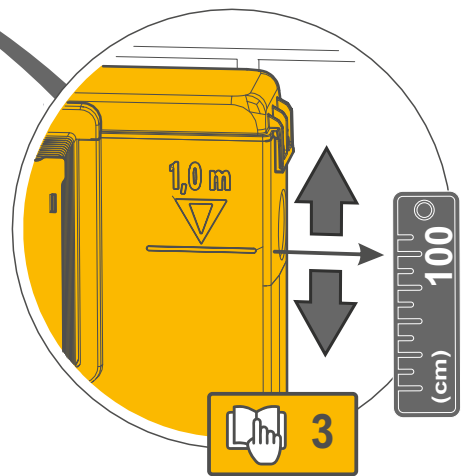
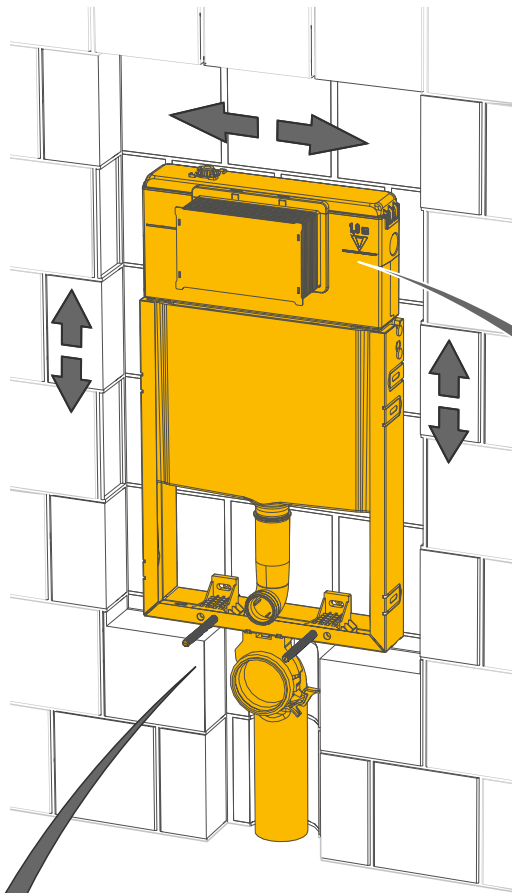
PRO-Z

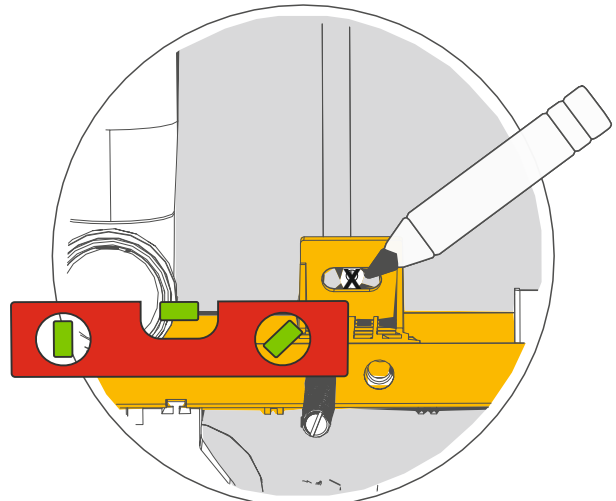
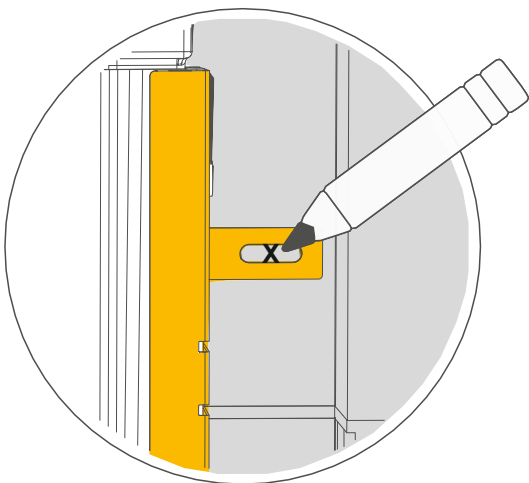
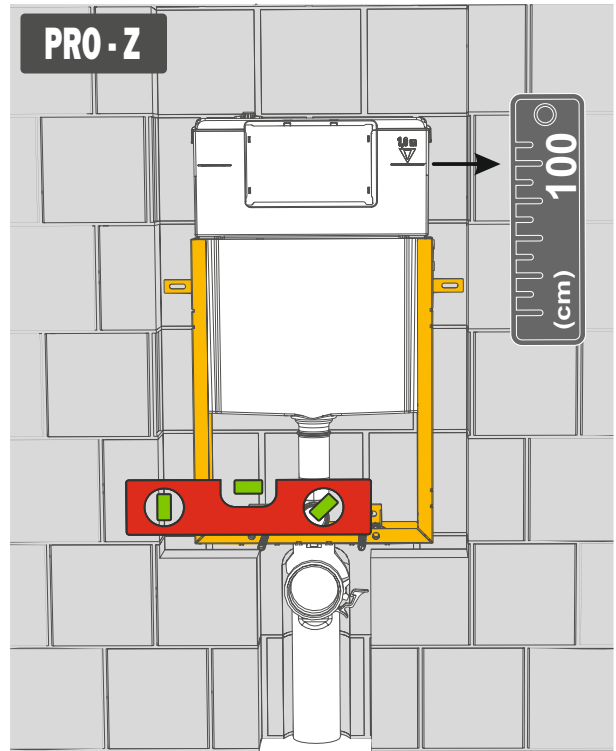
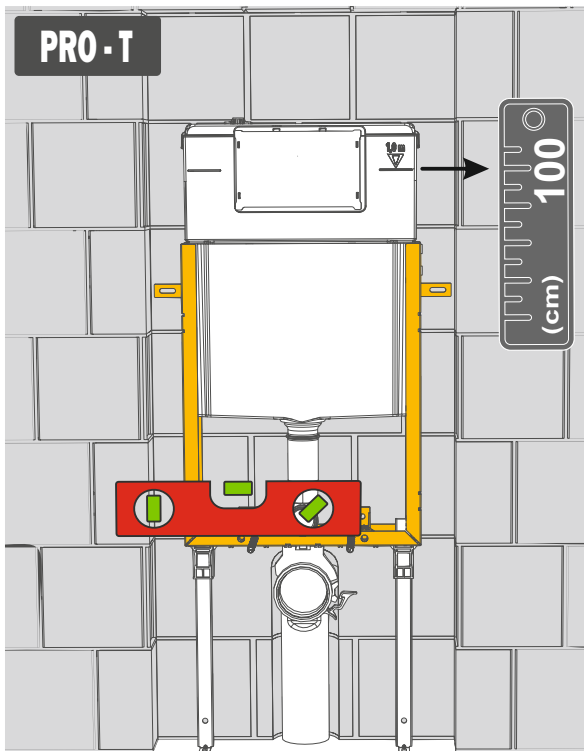
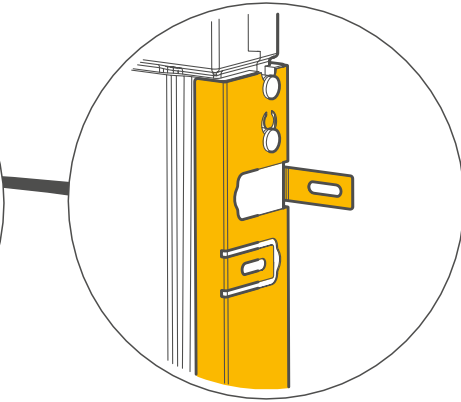
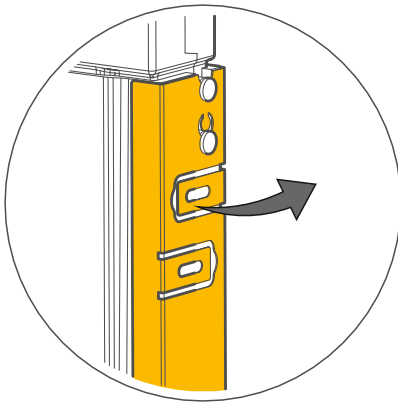
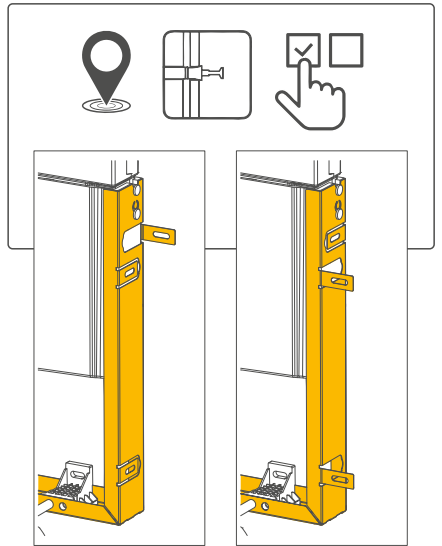
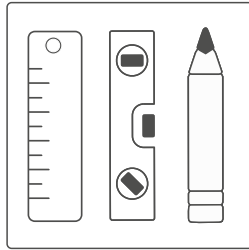
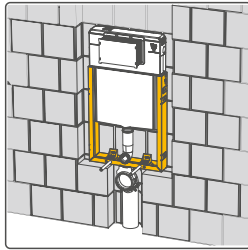
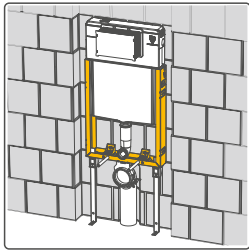
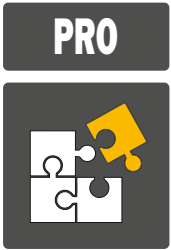


PRO-T

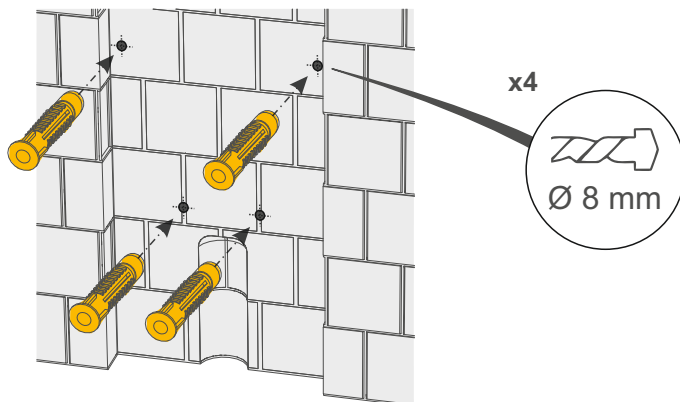
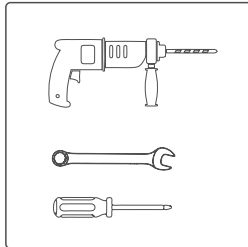
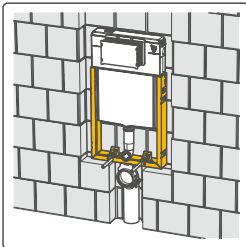
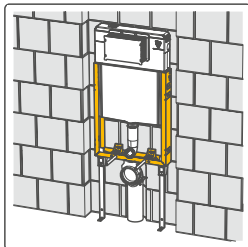


10

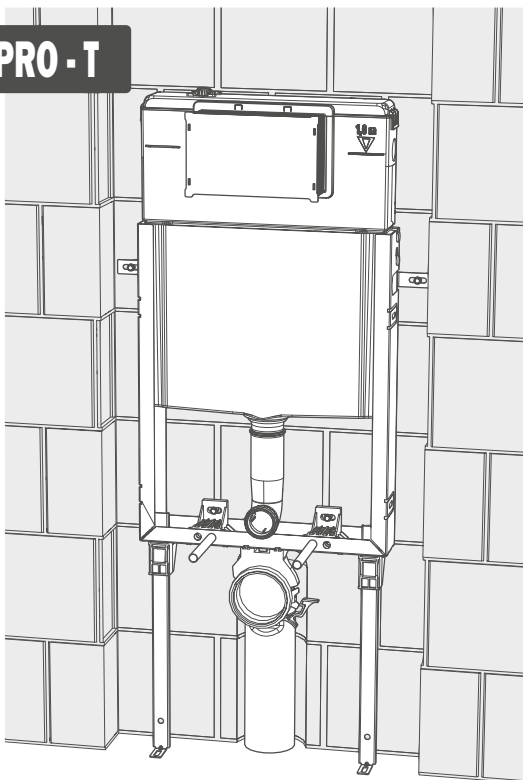




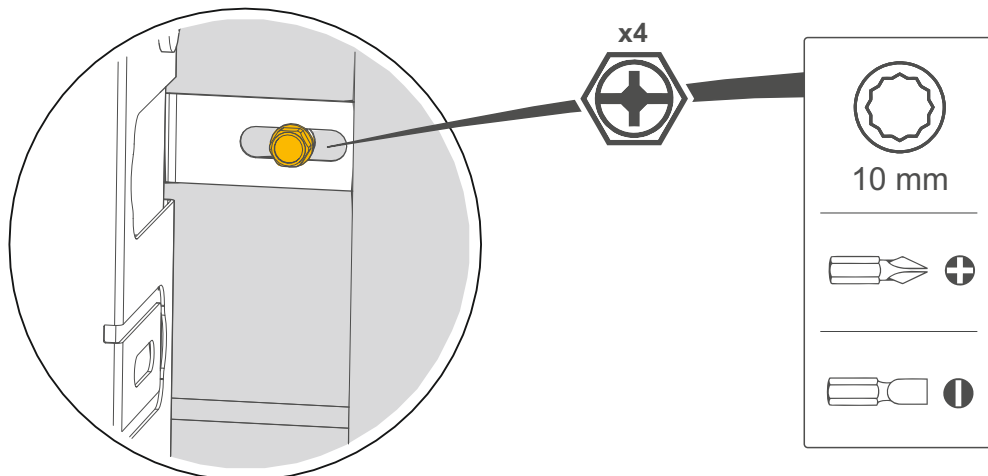
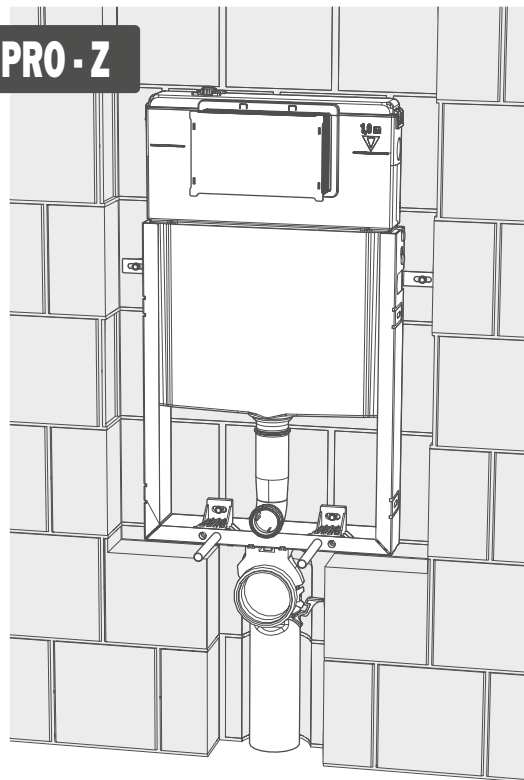
PRO

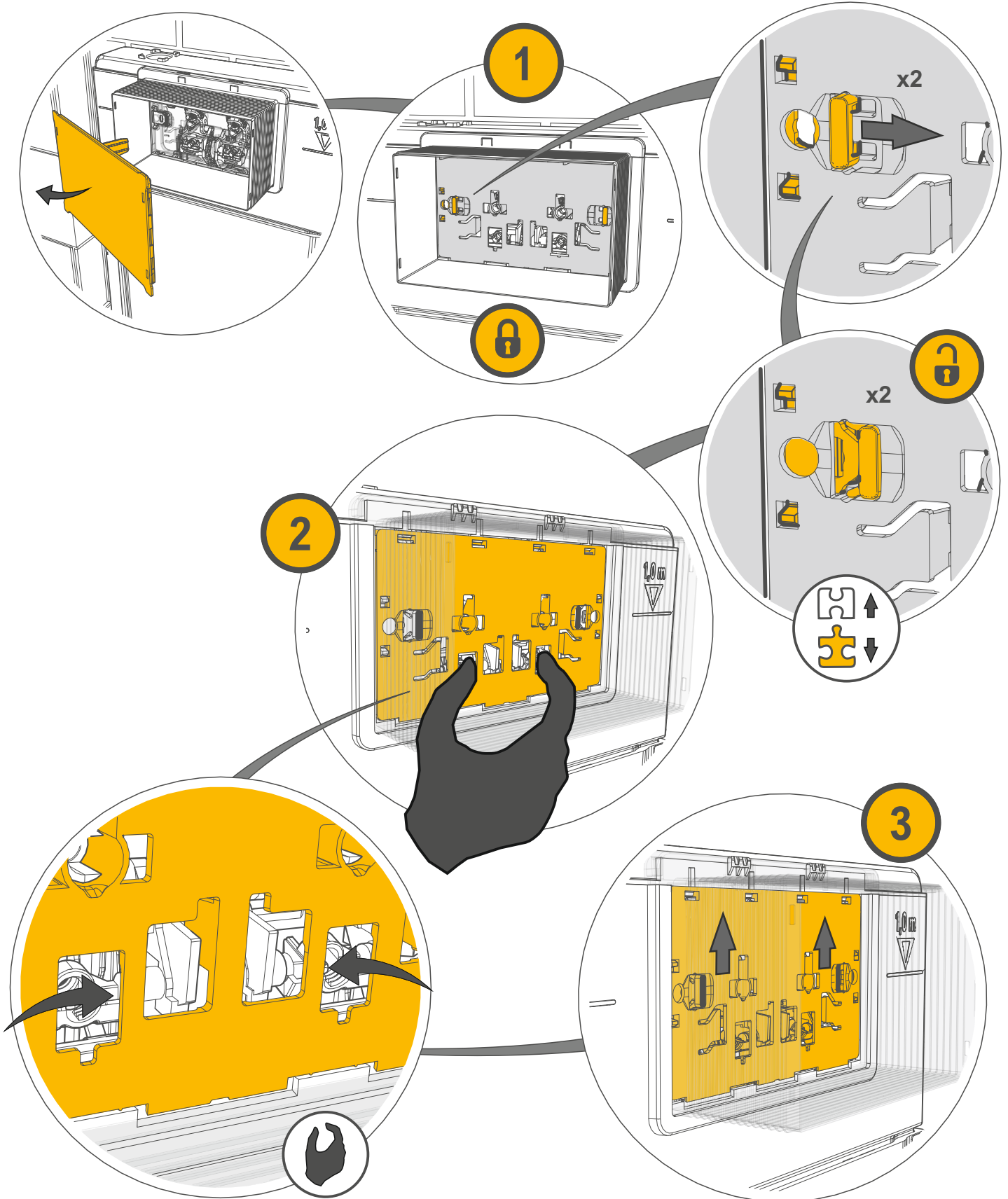
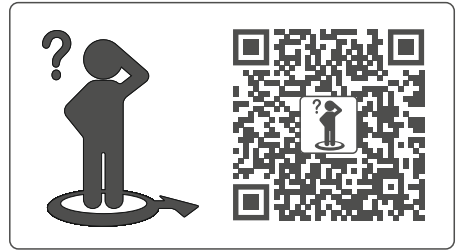
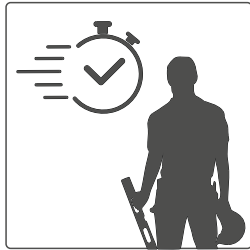
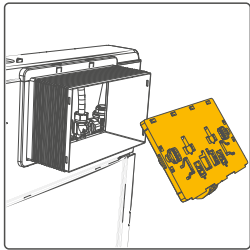
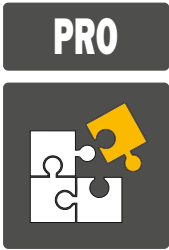


PRO - T

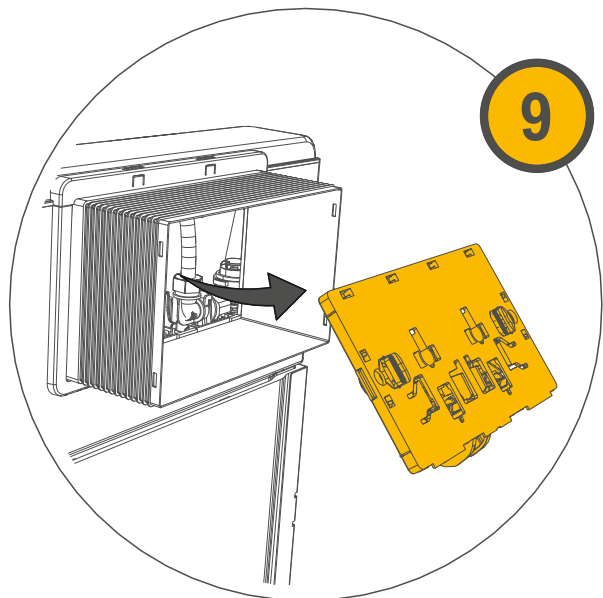
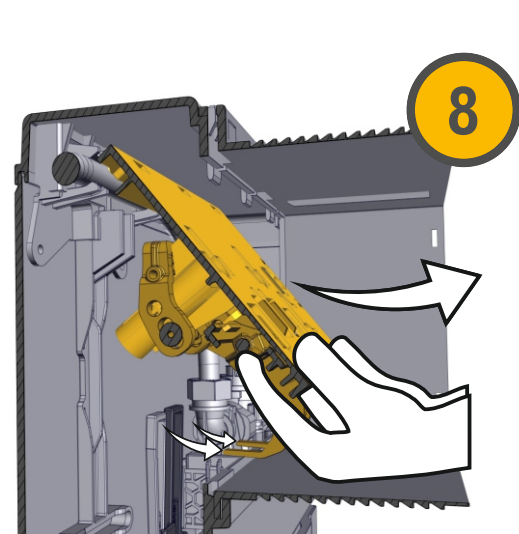
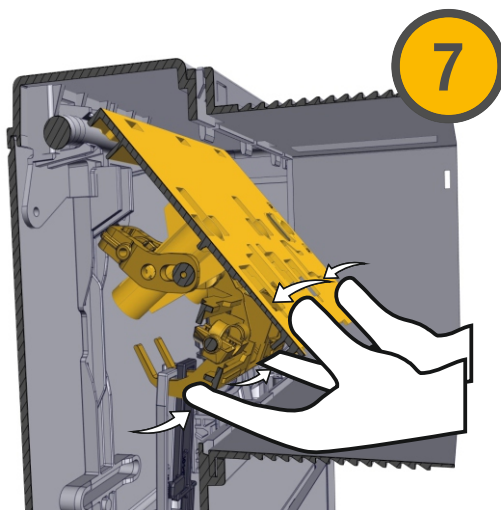
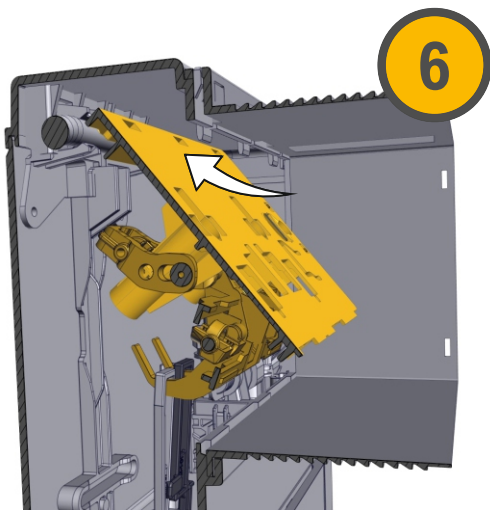
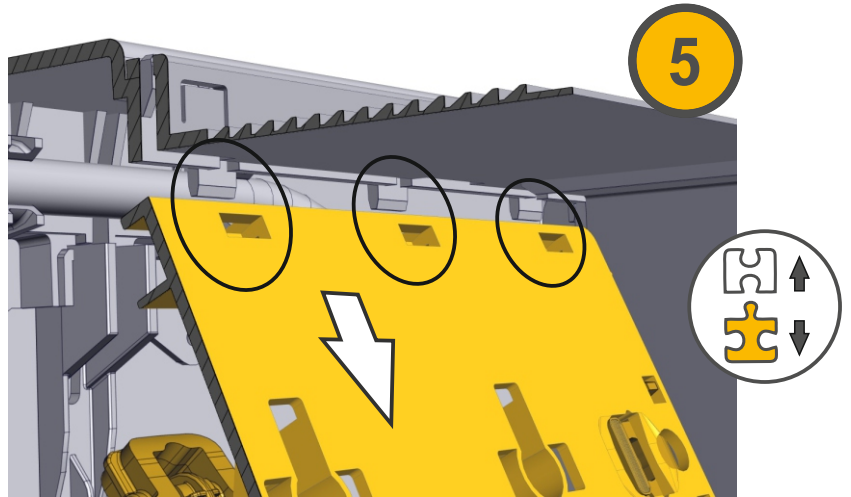
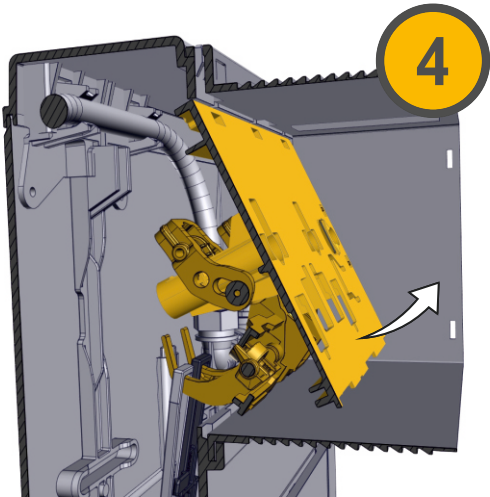
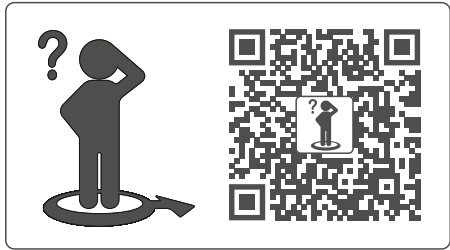
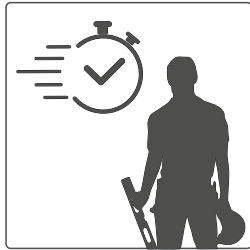
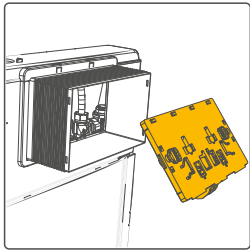


PRO - Z

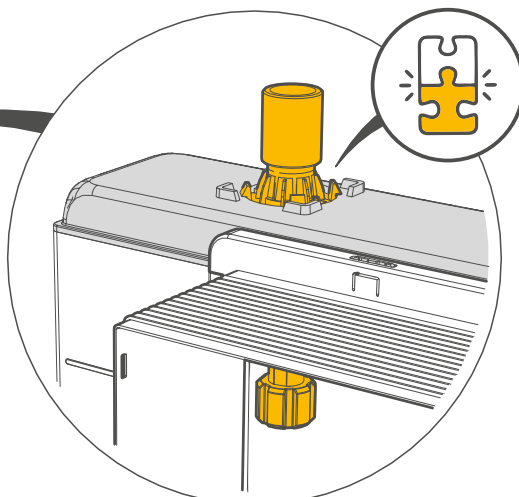
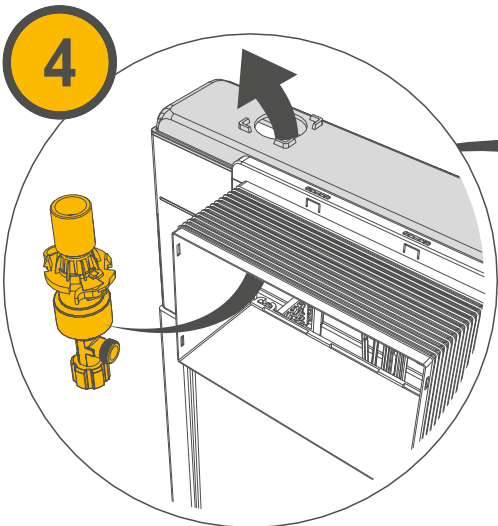
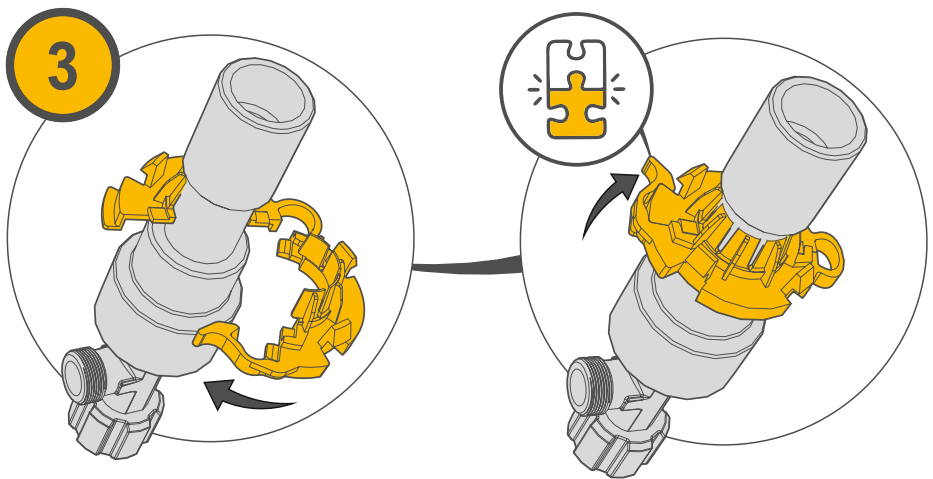
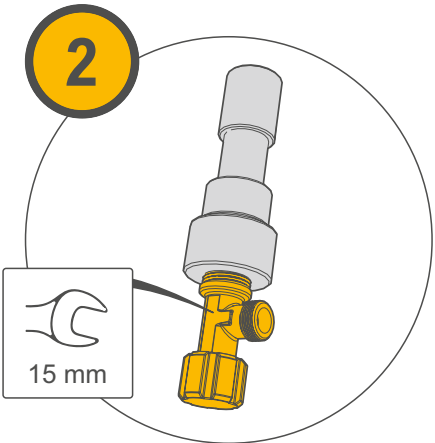
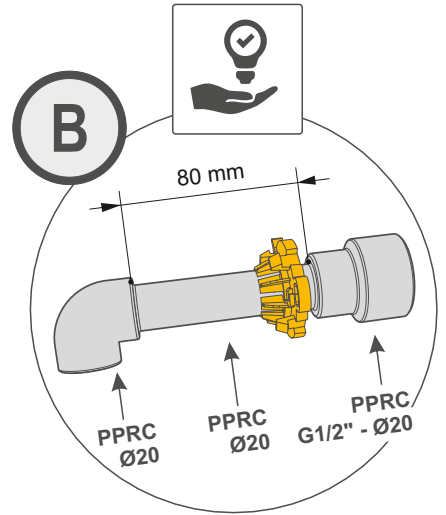
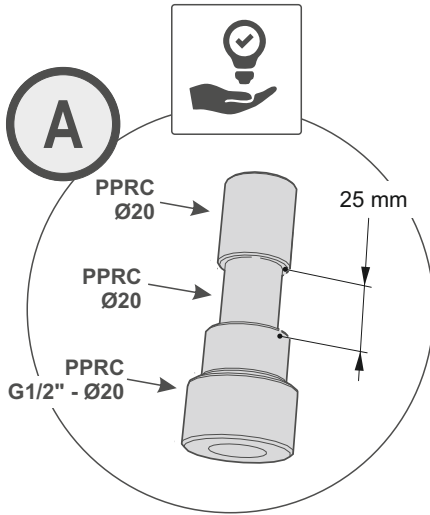
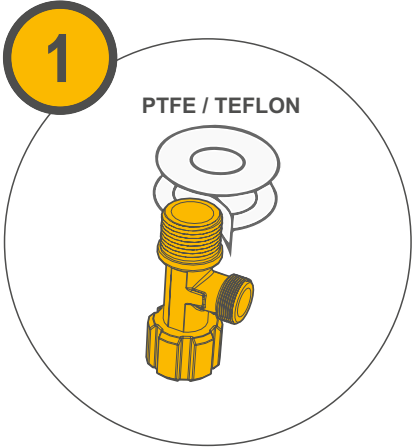
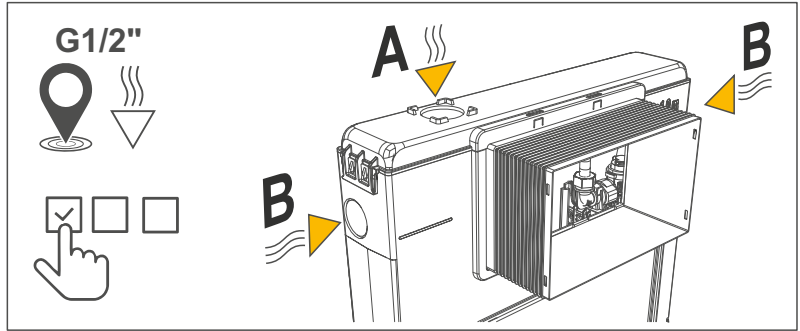
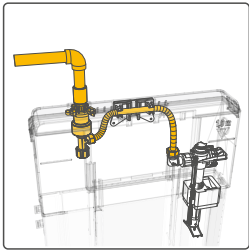




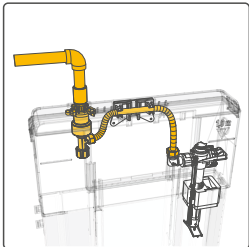
PRO



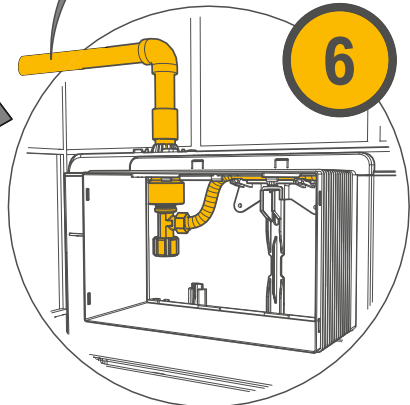
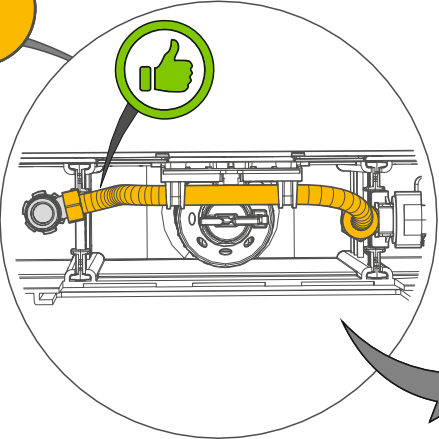
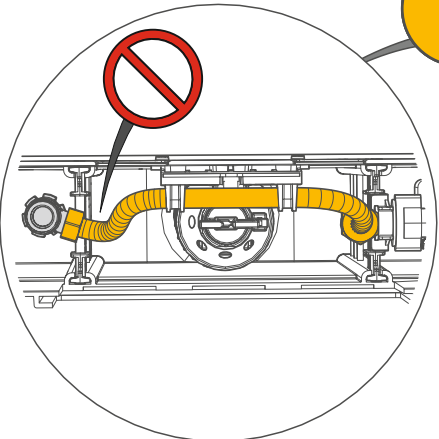
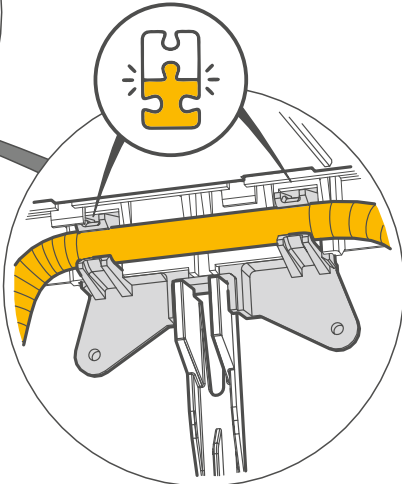
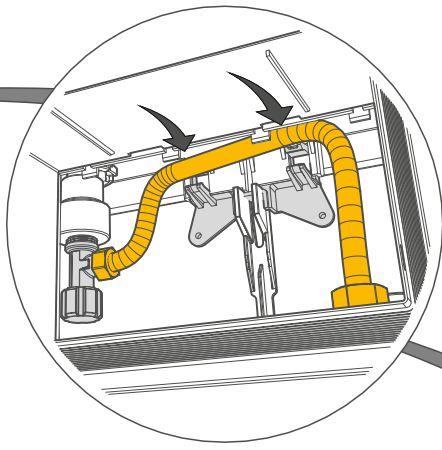
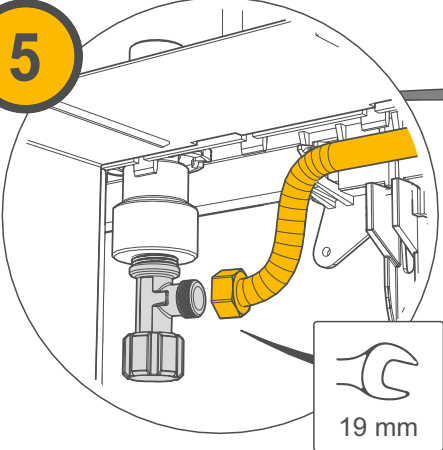
PRO



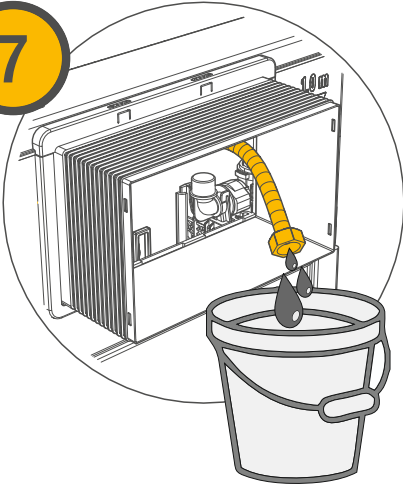
PRO



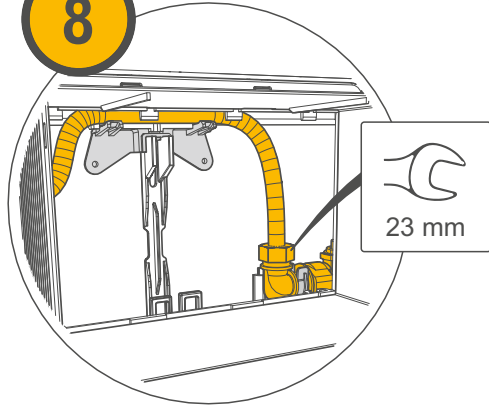
5

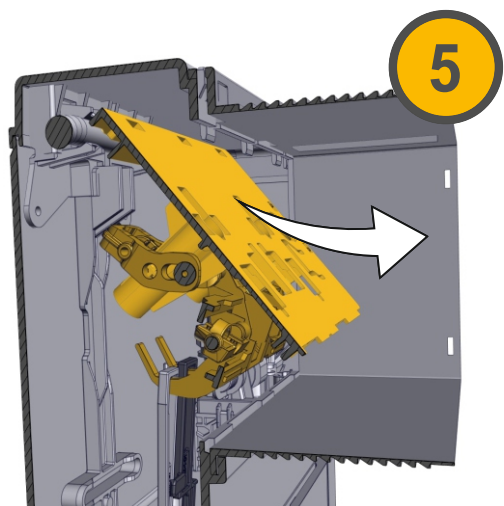
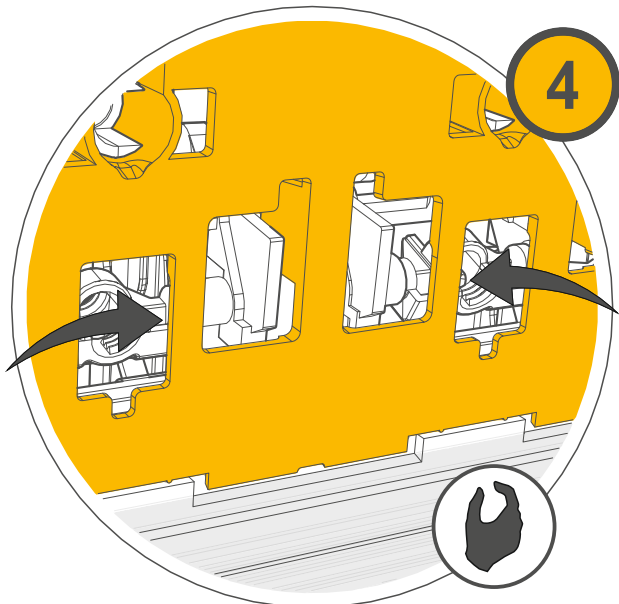
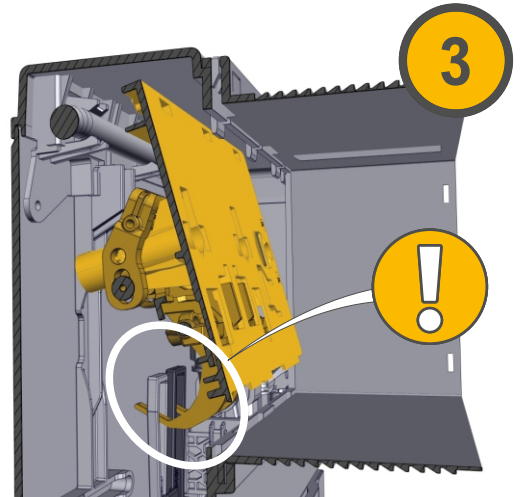
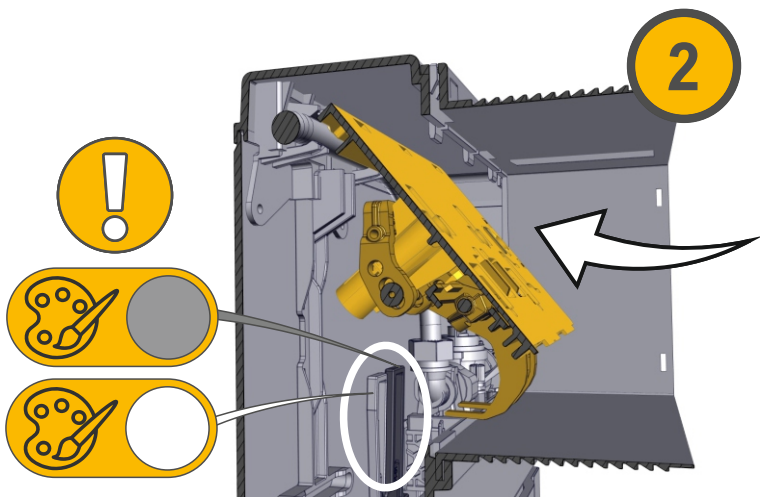
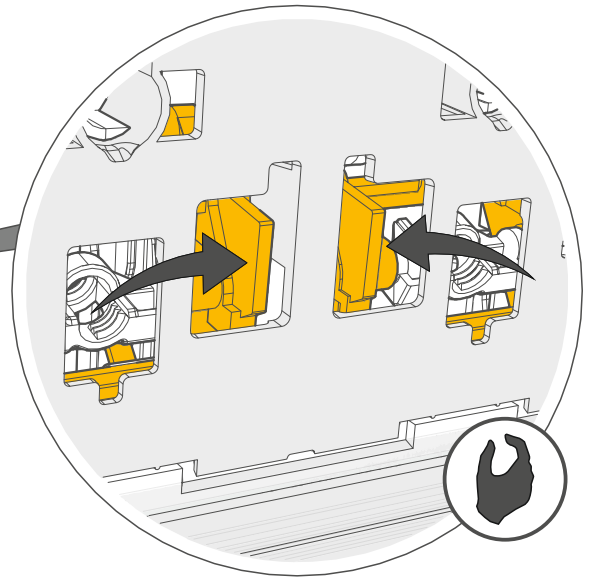
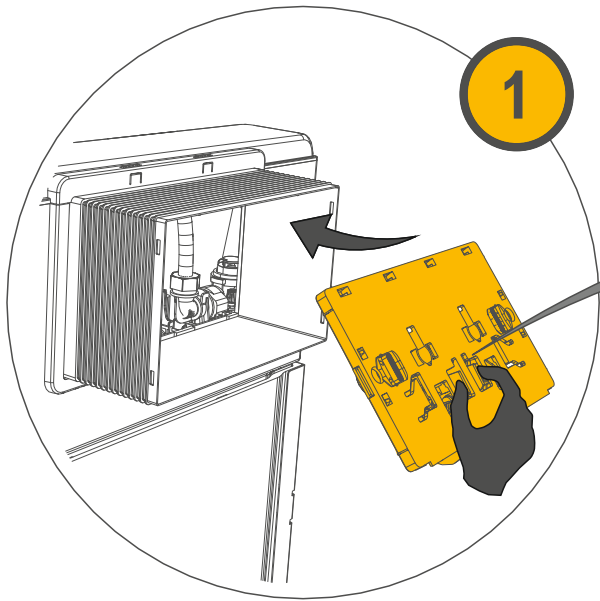
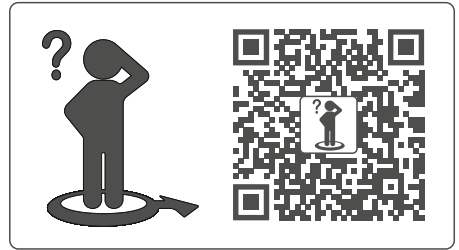
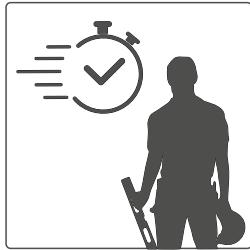
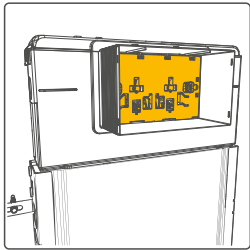
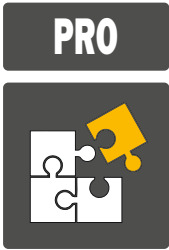


7

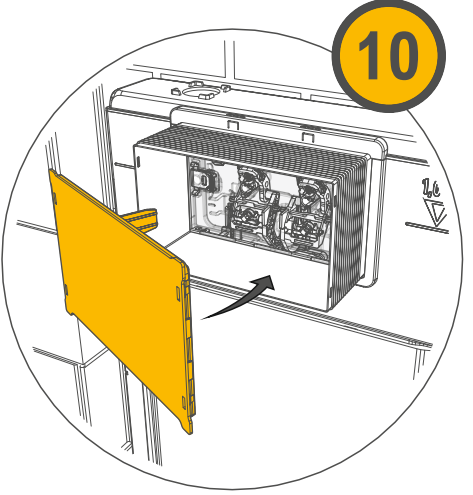
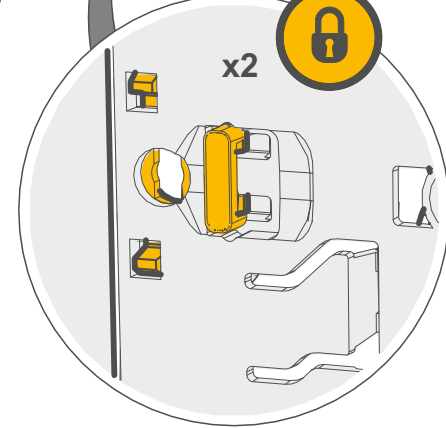
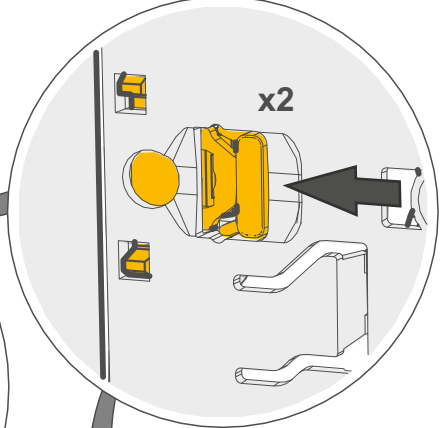
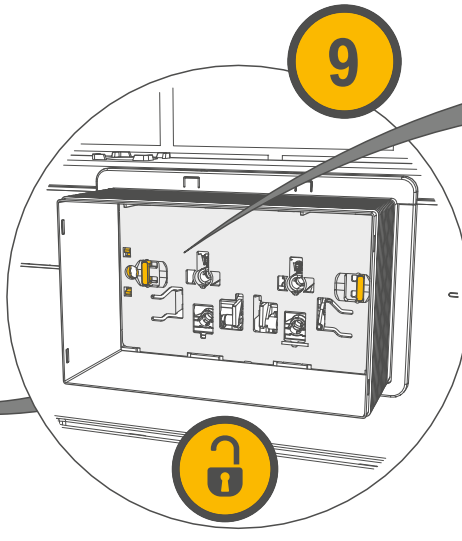
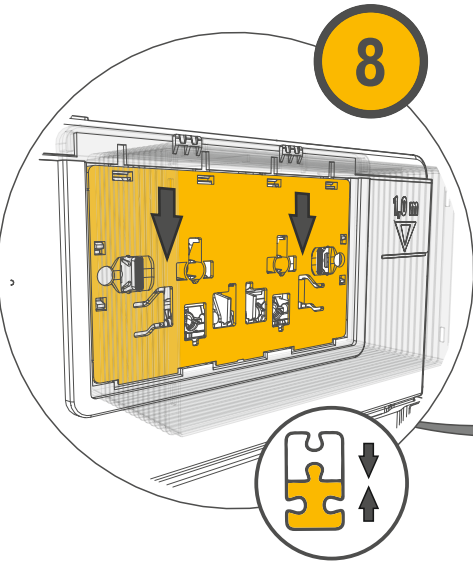
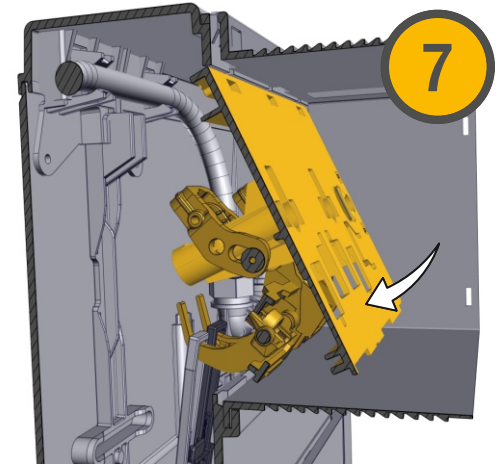
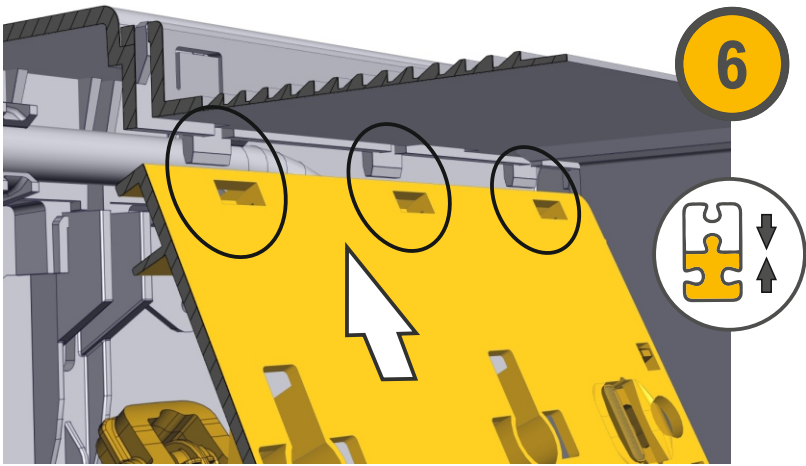
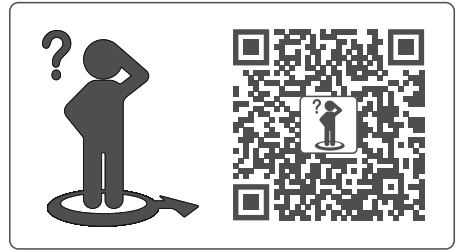
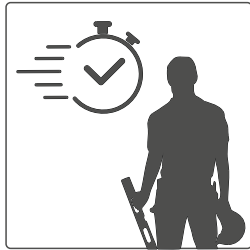
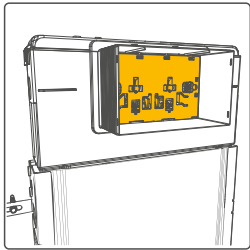


8





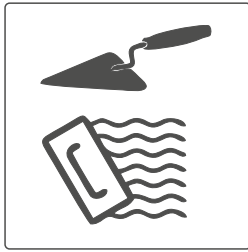
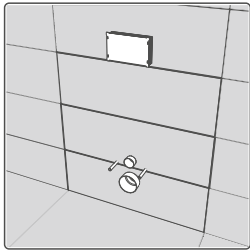
PRO



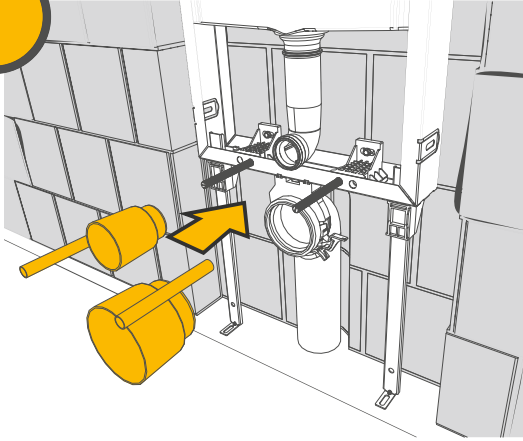
*** Do not remove the cover before installing the actuator panel**

* Kapağı aktuatör paneli montajından önce sökmeyin
 * Entfernen Sie nicht die Abdeckung, bevor Sie die Antriebsplatte installieren
 * Ne retirez pas le couvercle avant d'installer le panneau de l'actionneur
 * Non rimuovere il coperchio prima di aver installato il pannello dell'attuatore
 * No retire la cubierta antes de instalar el panel del actuador
 * Не снимайте крышку до установки панели привода
 * لا تقم بإزالة الغطاء قبل تركيب لوحة التشغيل.

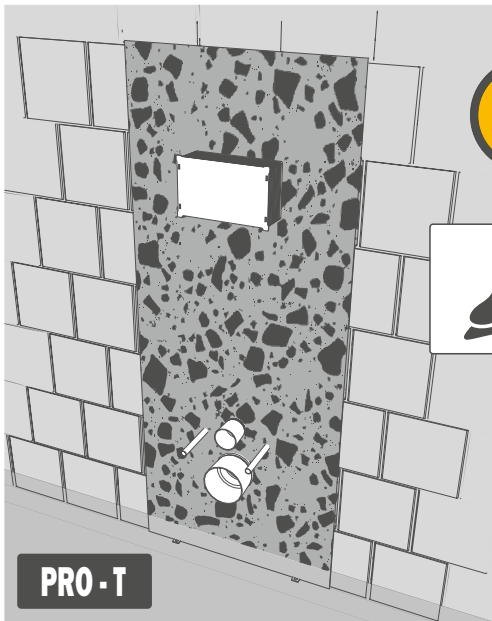
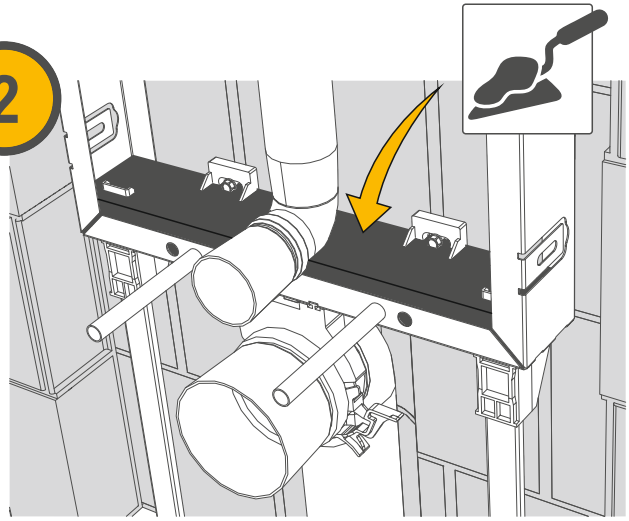
PRO



1



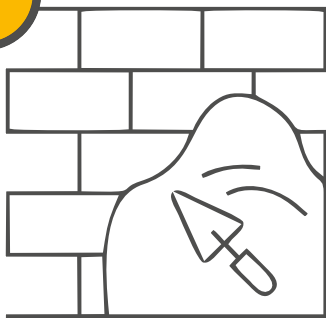
2



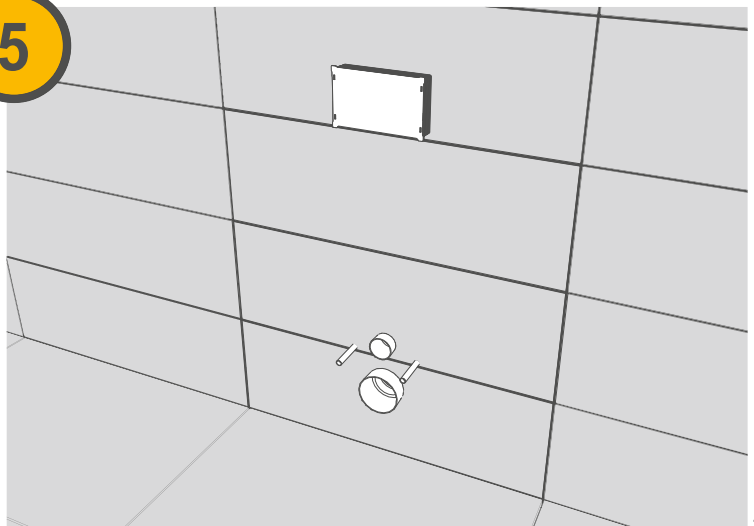
3



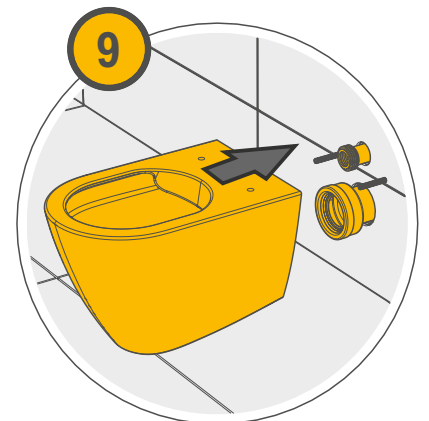
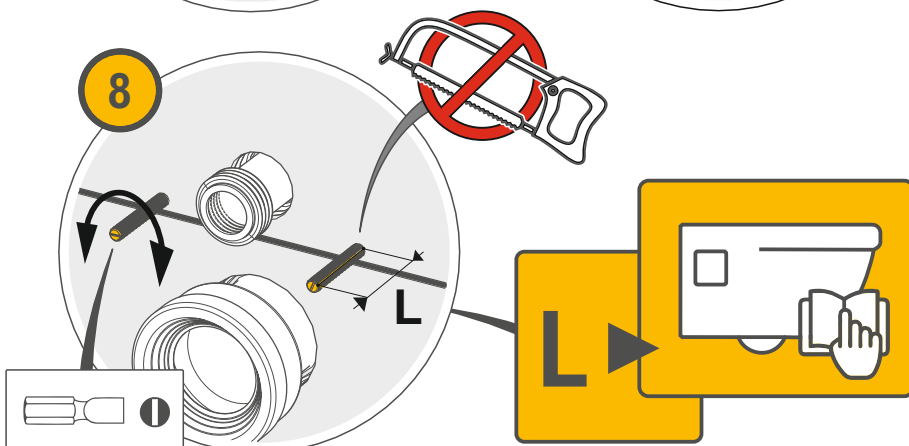
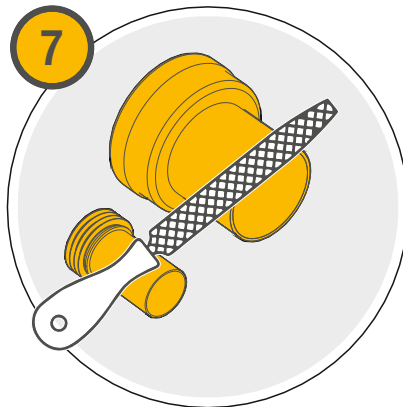
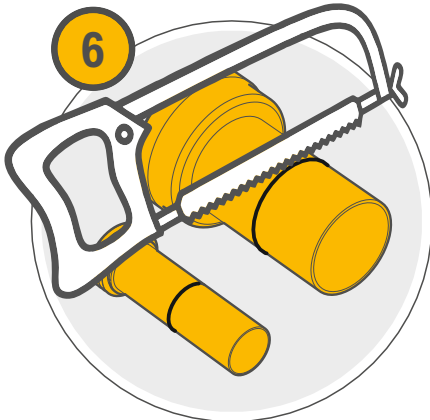
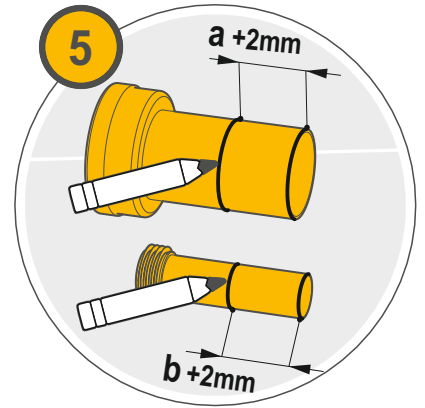
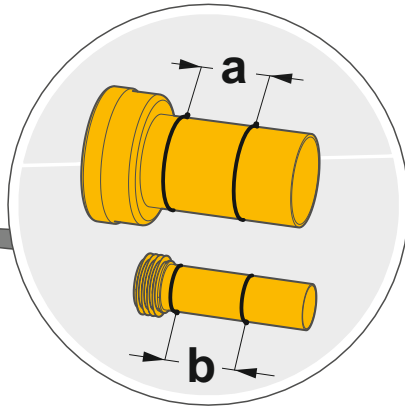
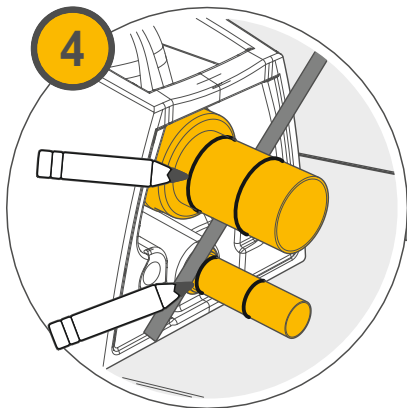
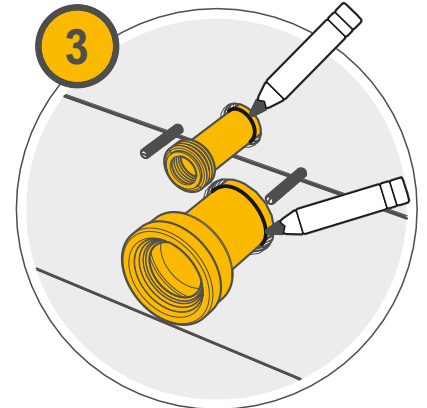
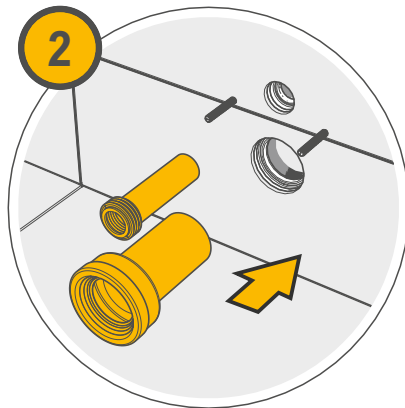
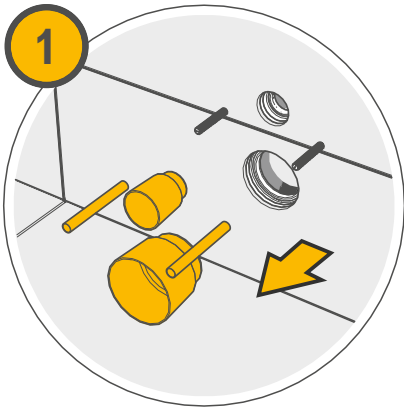
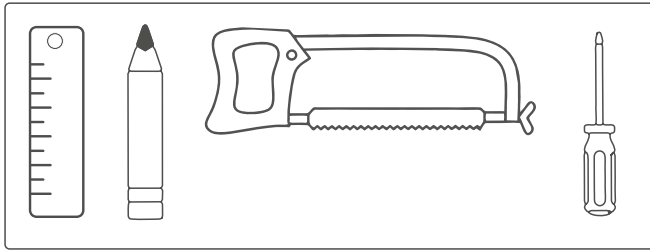
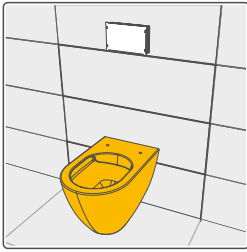
4



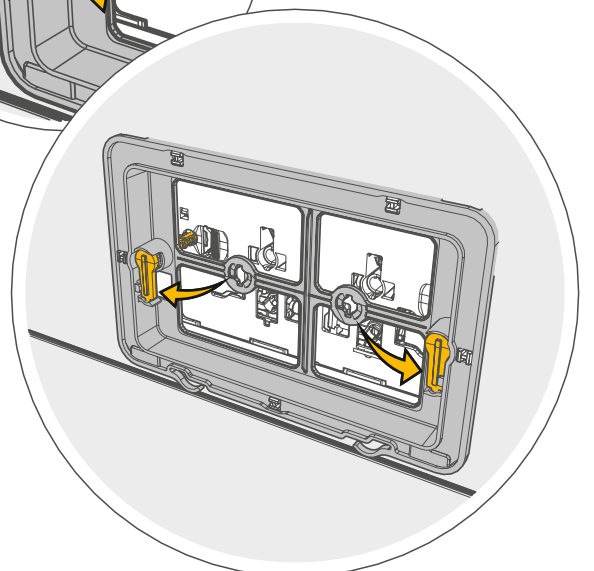
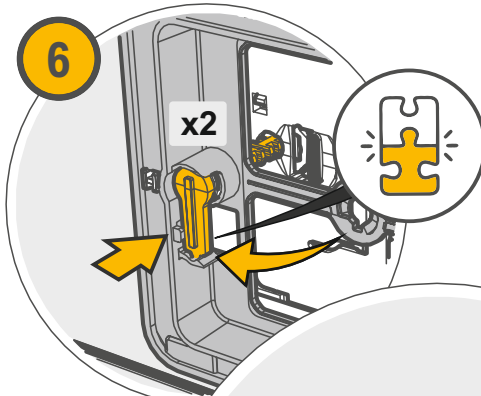
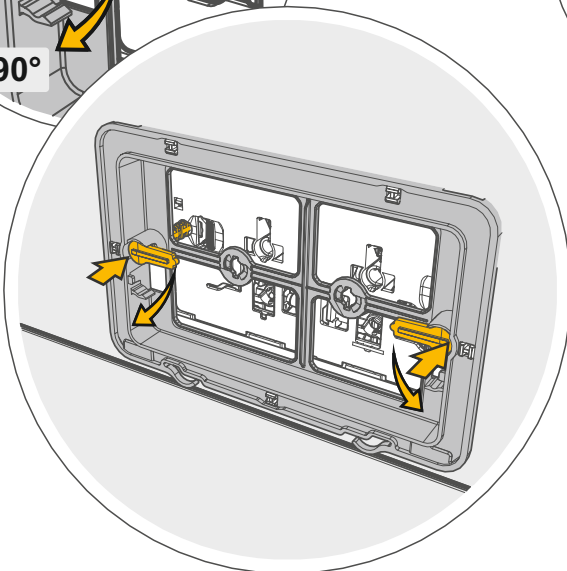
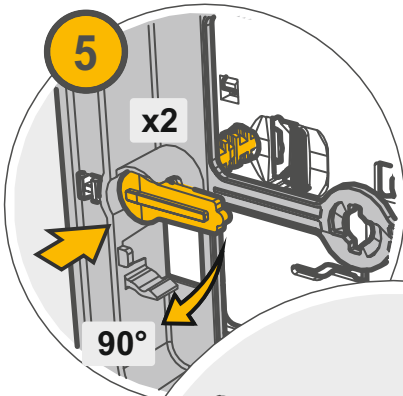
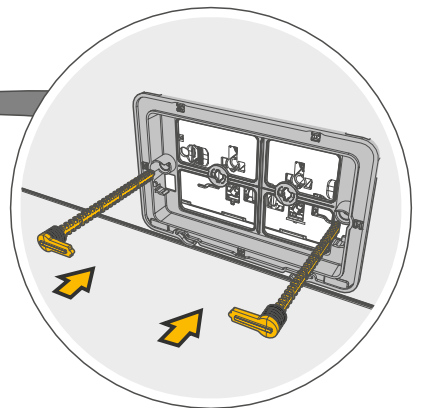
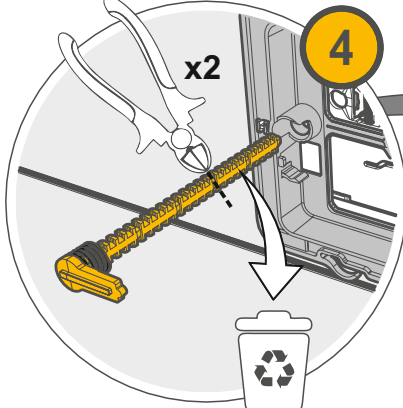
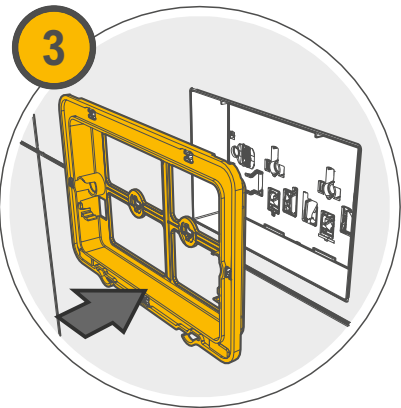
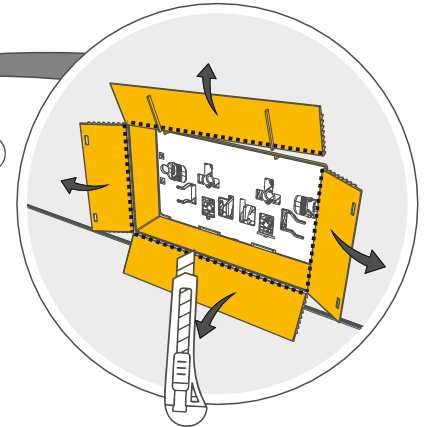
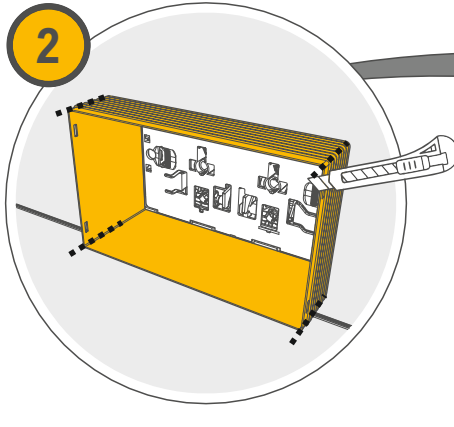
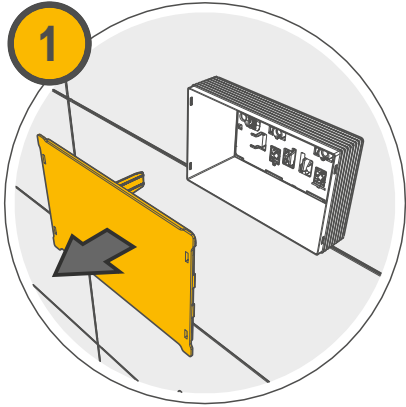
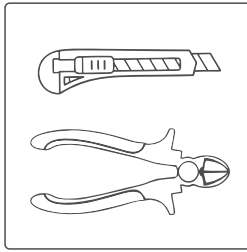
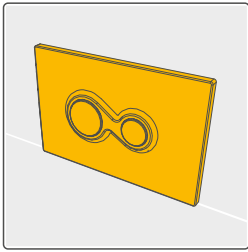
5



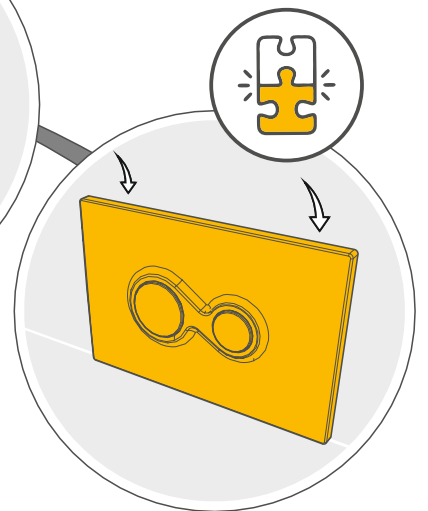
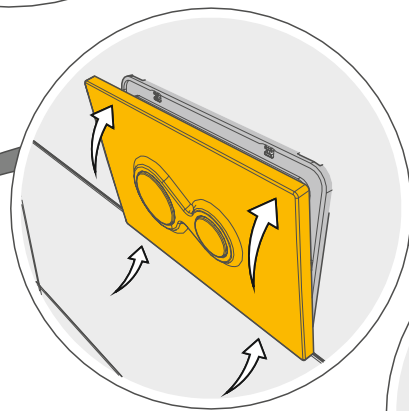
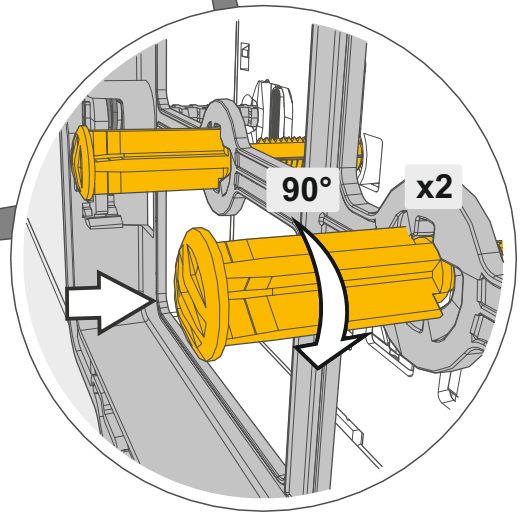
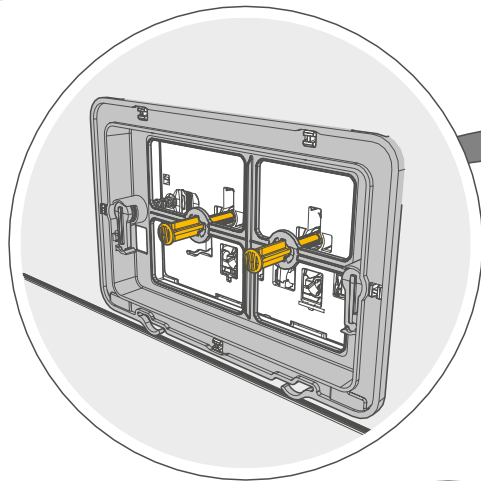
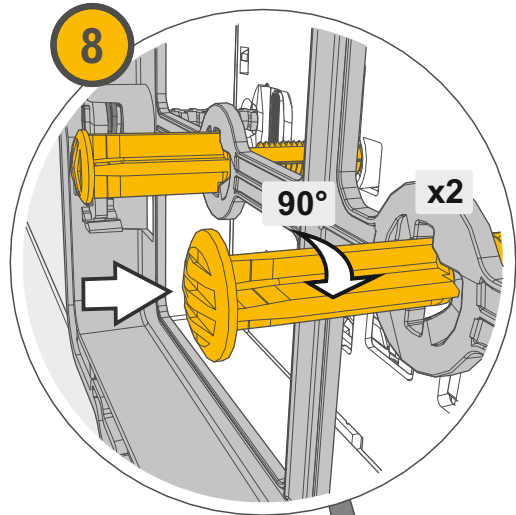
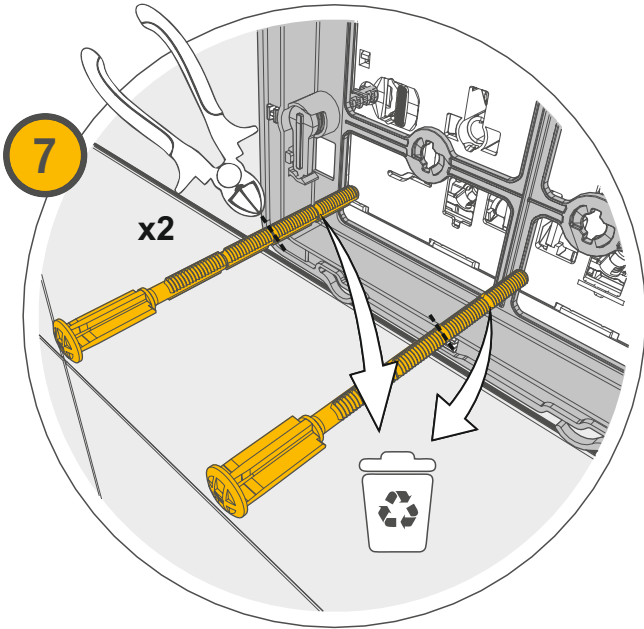
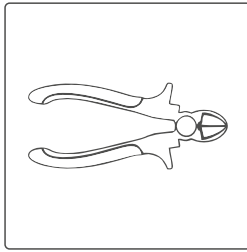
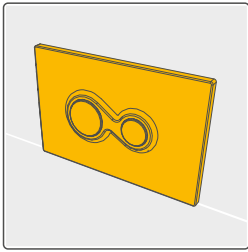
SUPREME



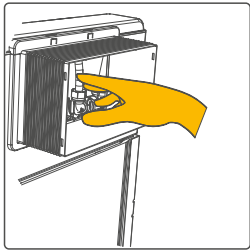
SUPREME



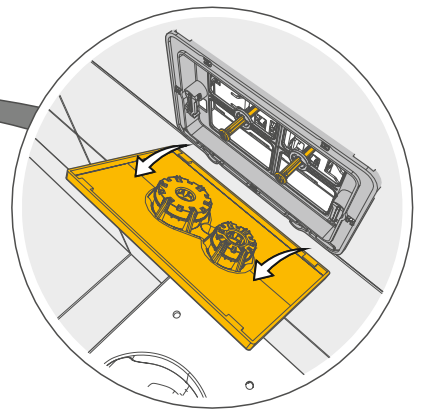
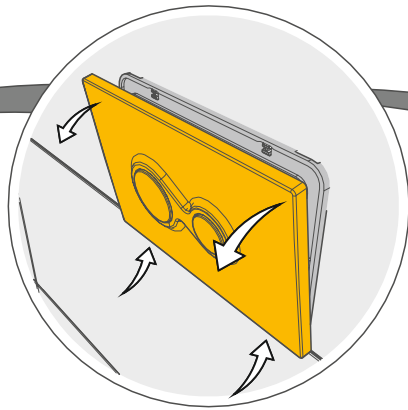
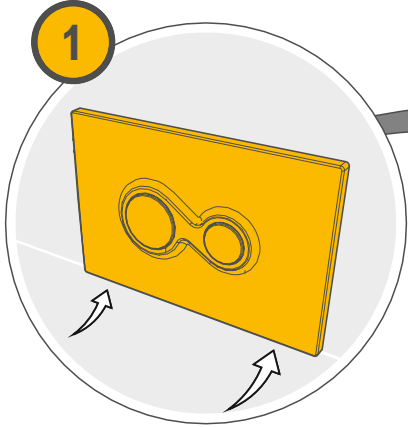
SUPREME



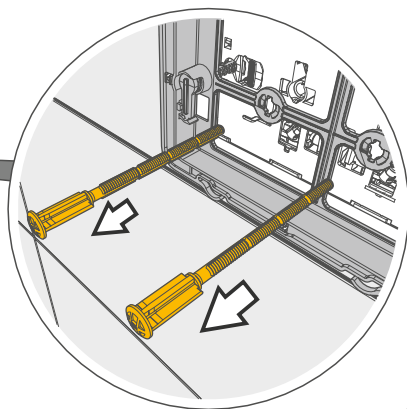
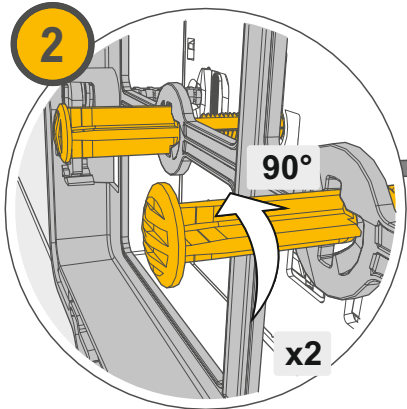
SUPREME



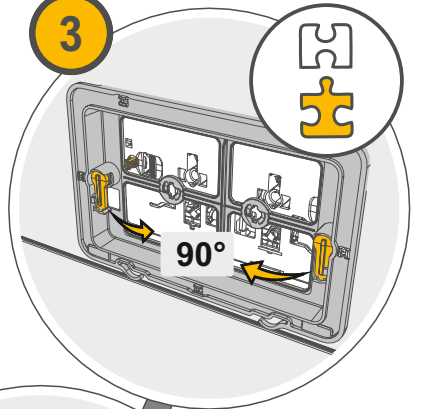
1



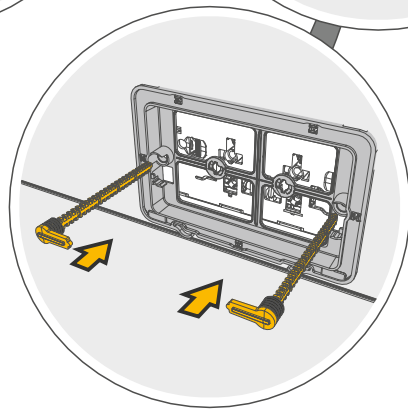
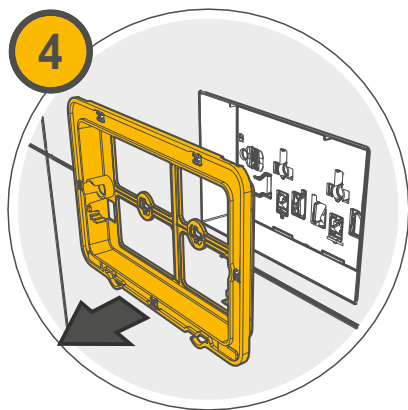
2



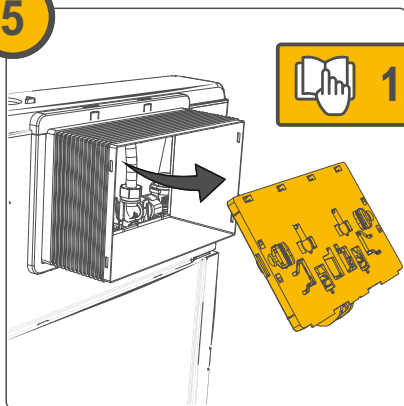
3



4

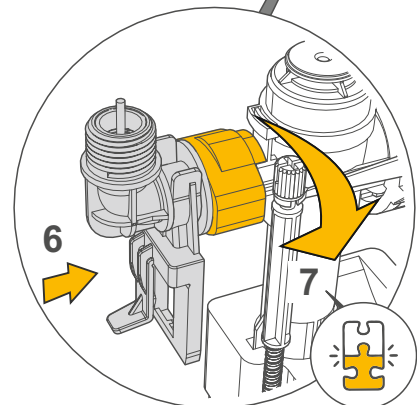
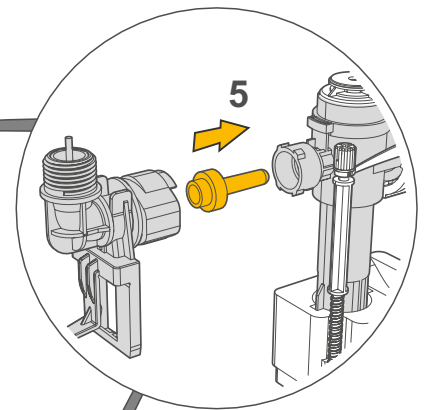
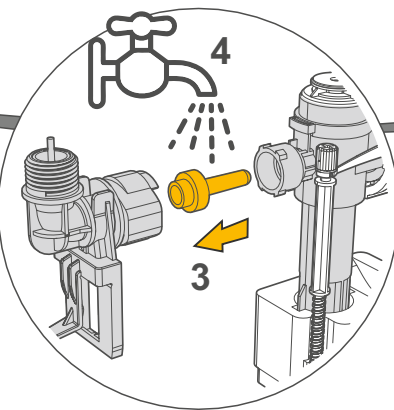
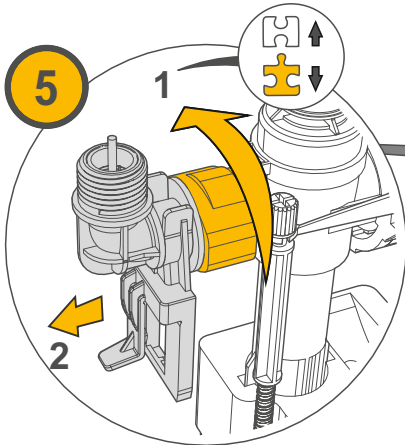
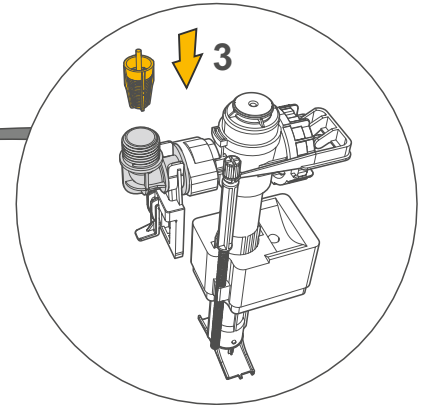
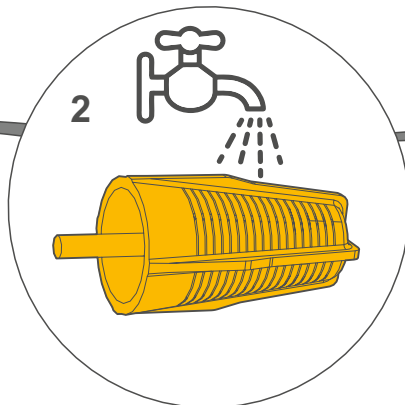
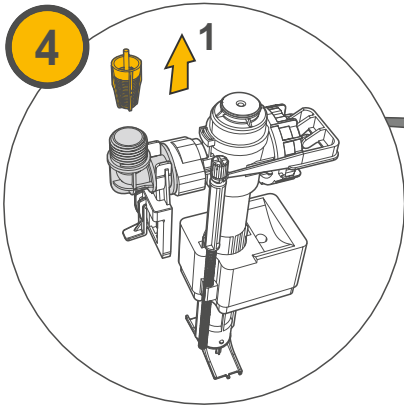
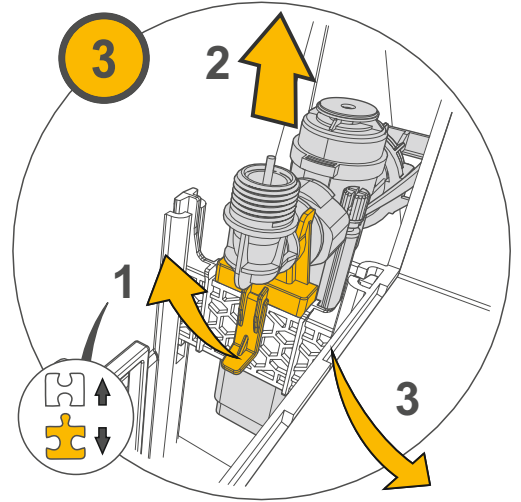
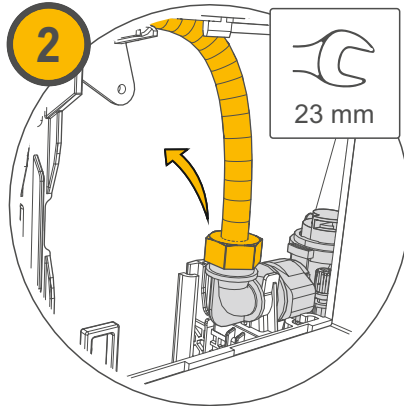
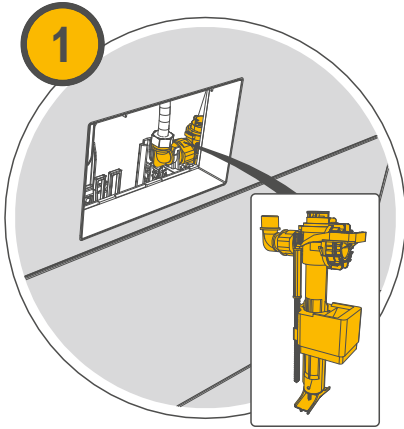
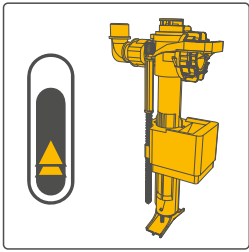


5

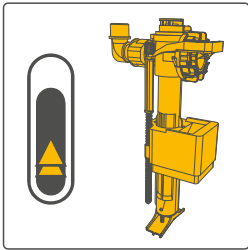


12-13

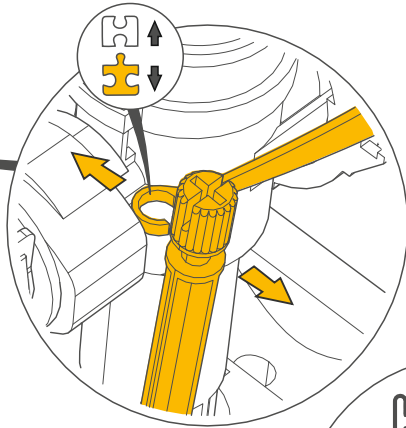
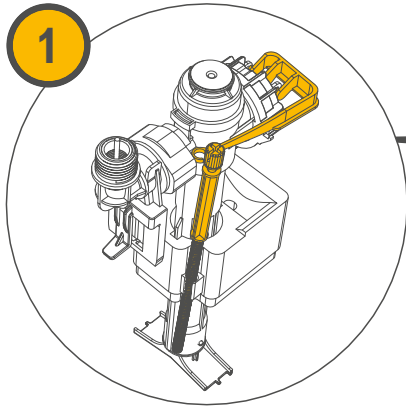
SUPREME



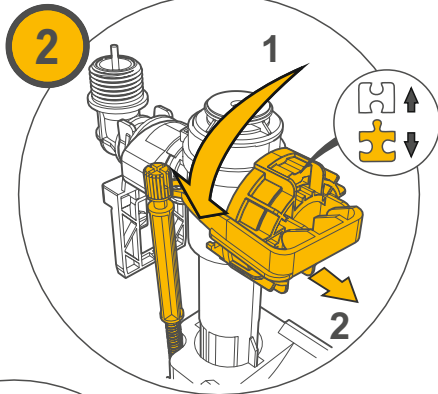
SUPREME



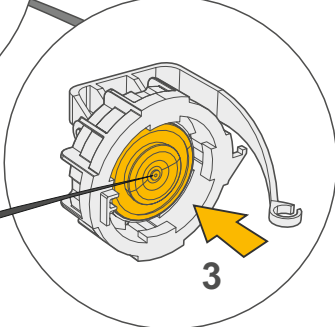
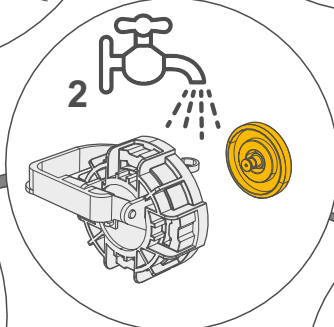
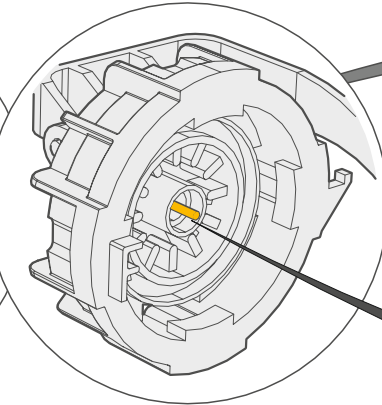
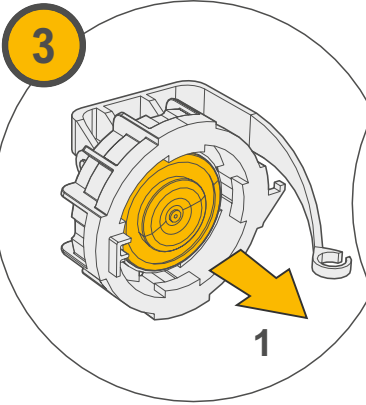
1



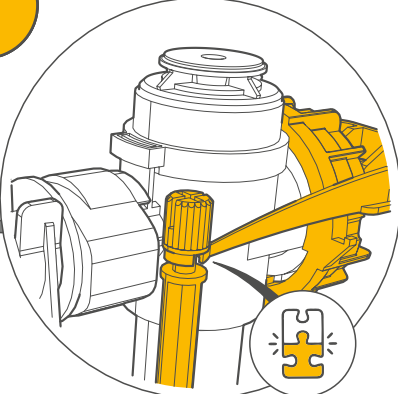
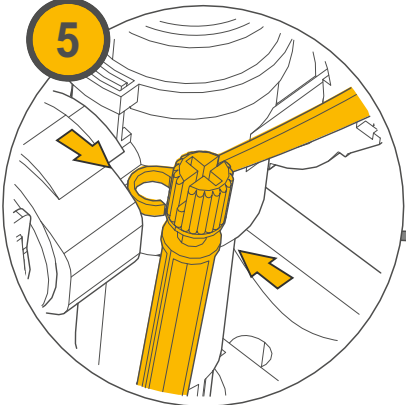
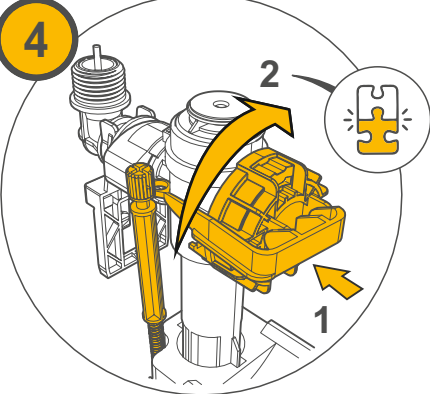
2



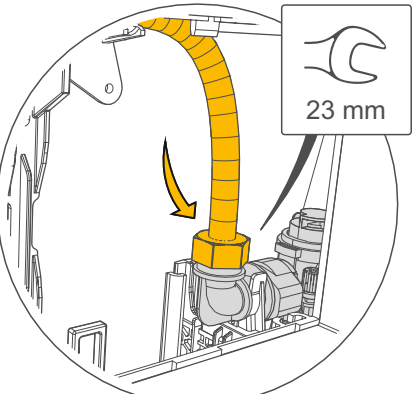
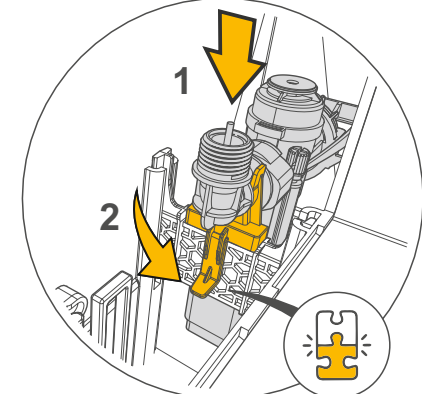
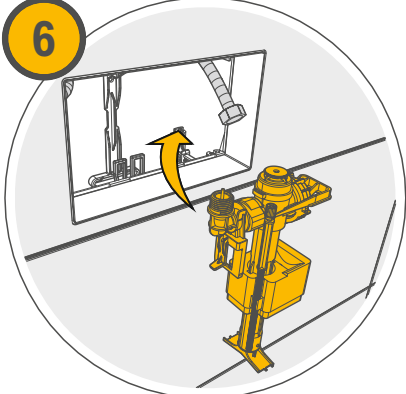
3



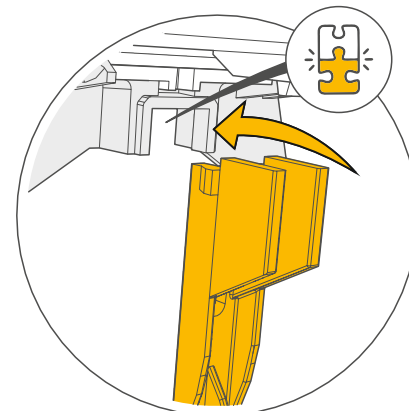
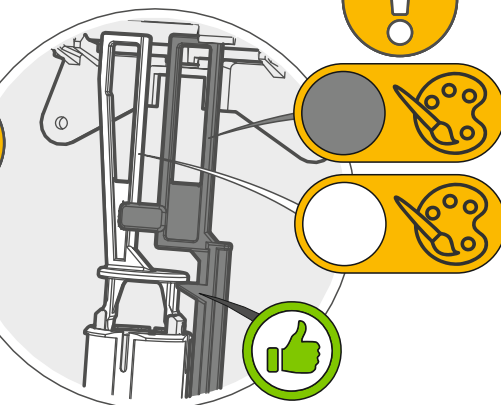
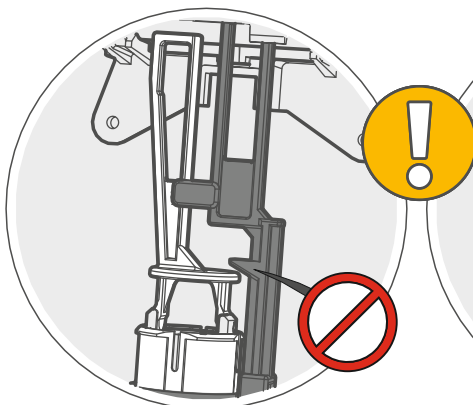
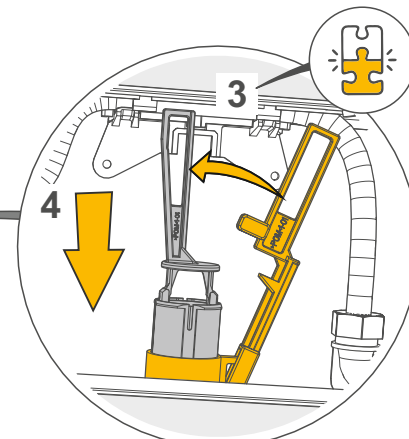
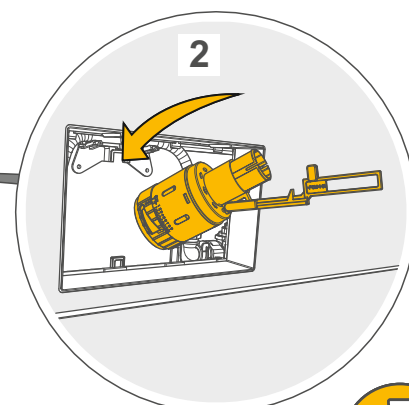
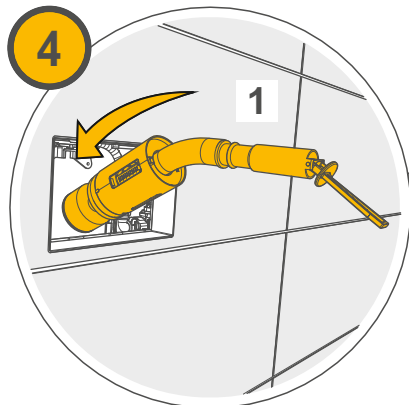
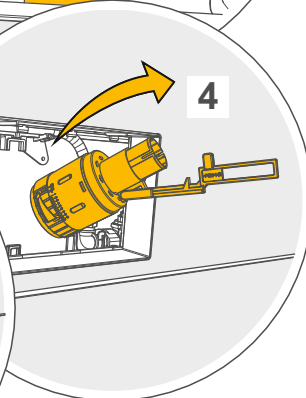
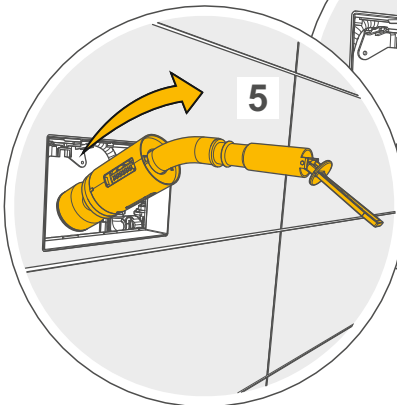
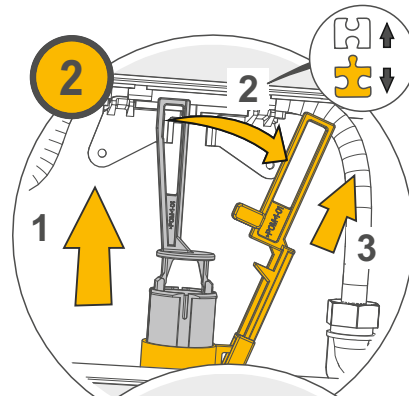
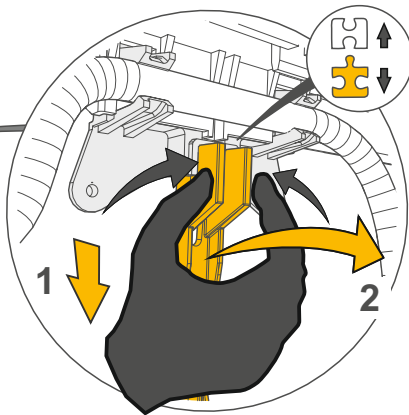
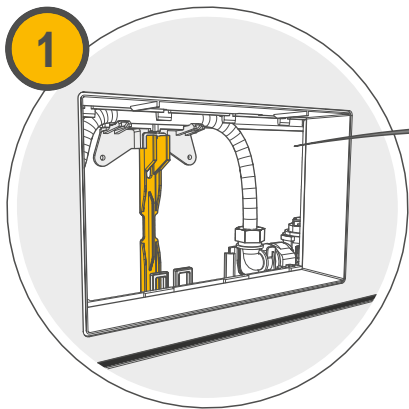
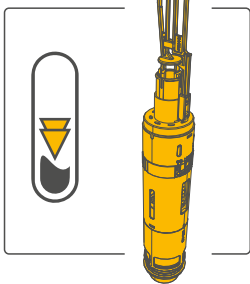
4



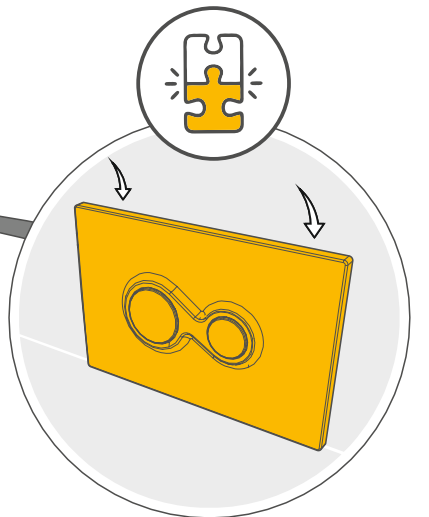
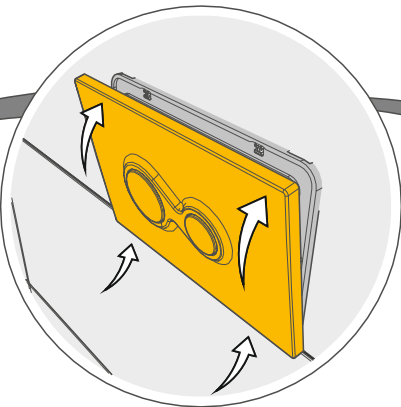
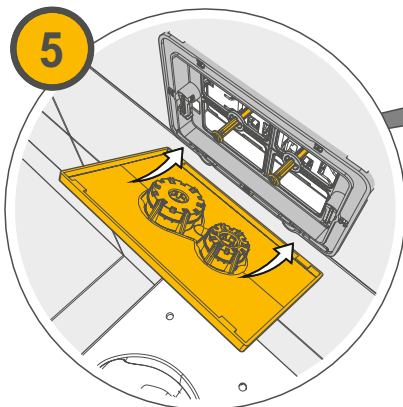
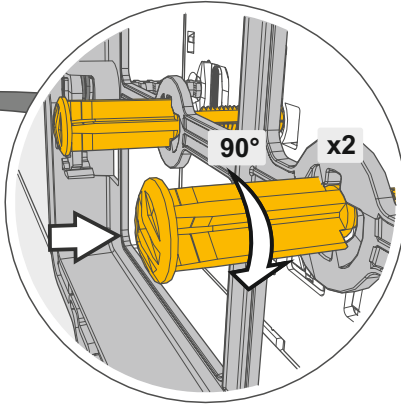
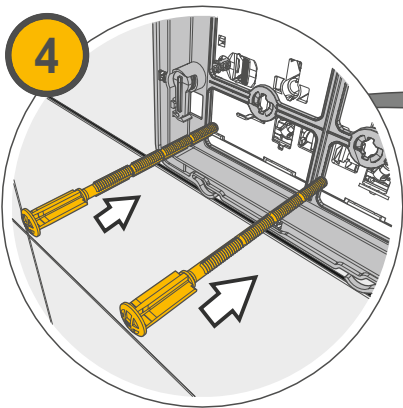
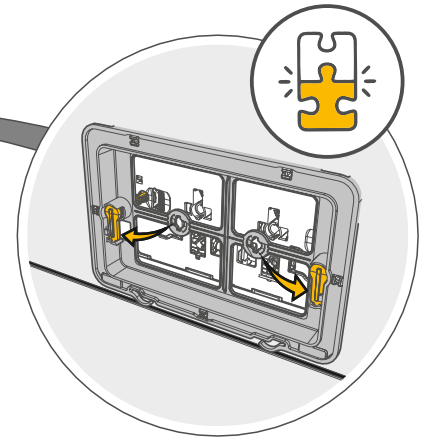
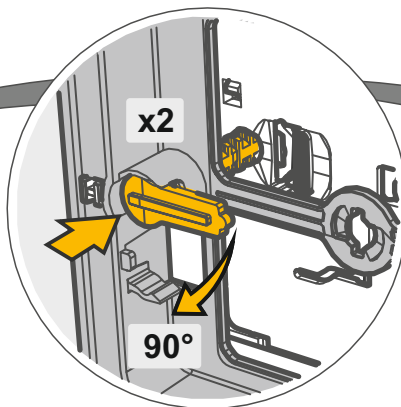
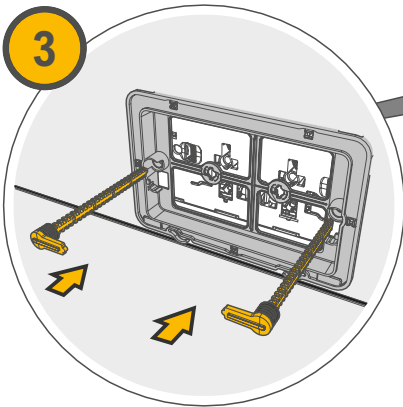
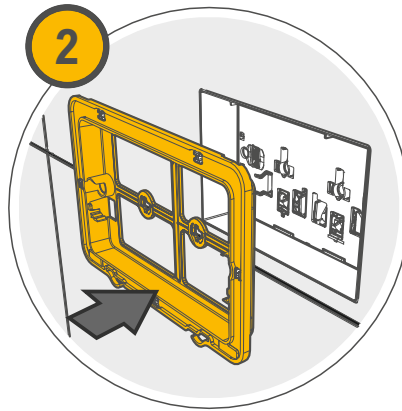
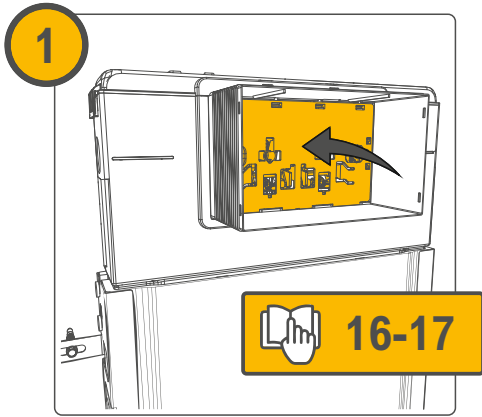
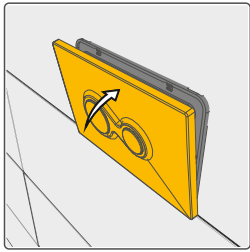
6



SUPREME



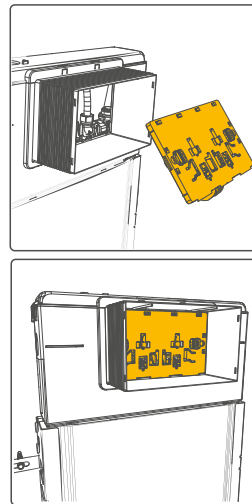
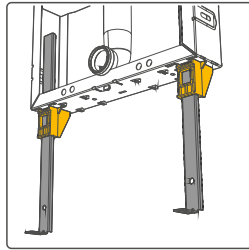
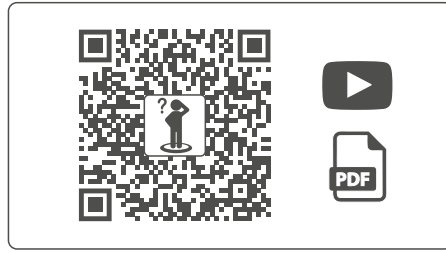
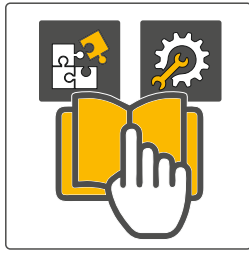
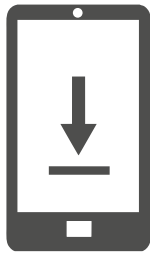
SUPREME



SUPREME



bien
EasyLearn[®]



bien

www.bienworld.com.tr



00 90 850 466 6444

BIEN Banyo Ürünleri San. ve Tic. A.Ş.

Headquarters

Gömeç Sk. No:39
Acıbadem, İstanbul / TURKEY
Tel: +90 216 614 1060 (pbx)
Fax: +90 216 614 1085
e-mail: info@bienbanyo.com

Bozüyük Factory

Yeni Mah. Seramik Cad. No:7/1
Bozüyük, Bilecik / TURKEY
Tel: +90 228 314 0200 (pbx)
Fax: +90 228 314 0210

Bilecik Factory

Hürriyet 2.OSB Mah. 10.Cad. No:27/0
Merkez, Bilecik / TURKEY
Tel: +90 228 314 0200 (pbx)
Fax: +90 228 314 0210